



INSTALLATION INSTRUCTIONS

Accessory
CARGO COVER
P/N 08U35-SCV-110 (BLACK)
P/N 08U35-SCV-120 (GRAY)

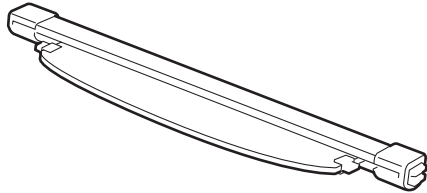
Application
2006 ELEMENT

Publications No.
All 31037
Issue Date
OCT 2005

Put this instruction in the glove box with the vehicle owner's manual.

PARTS LIST

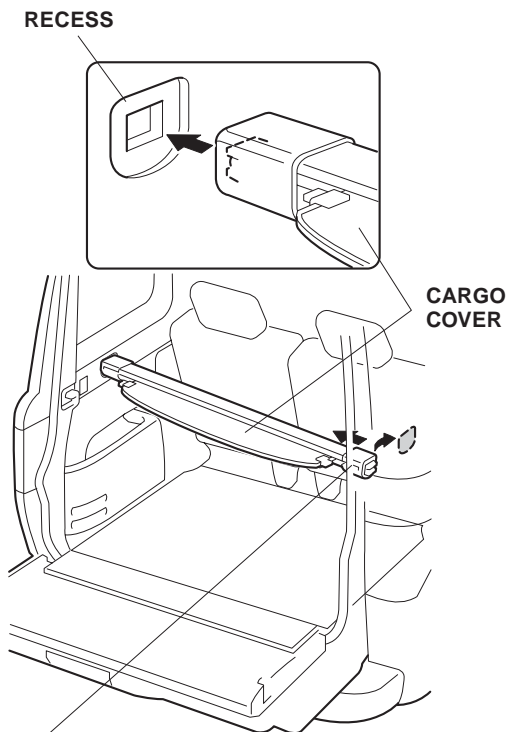
Cargo cover



INSTALLATION

Installing the Cargo Cover

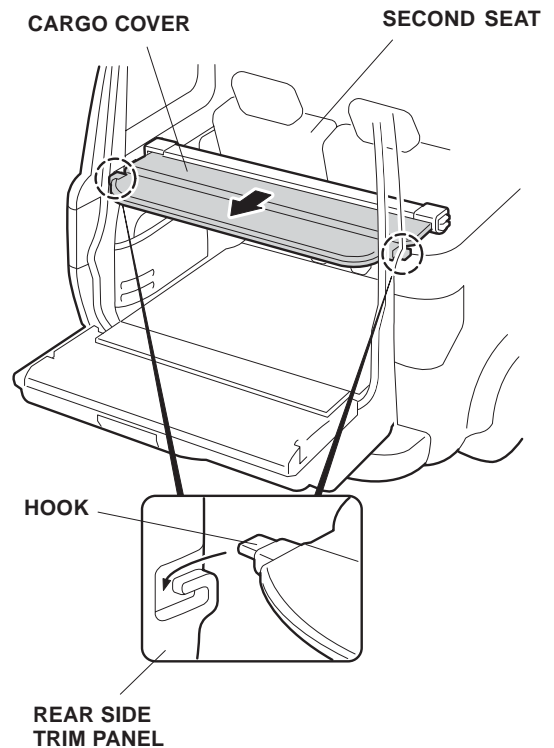
1. Open the rear hatch, and locate the recess in the left and right rear side trim panels.



Slide the cargo cover in and forward.

2. Install the cargo cover into the recess in the left rear side trim panel, then compress the cargo cover, and install it in the recess in the right rear side trim panel.

3. Attach the right and left hooks to the rear side trim panels.



USE AND CARE

The cargo cover is spring-loaded and can snap in when released from the hooks. When you retract the cargo cover to the storage position, unhook, release, and retract the cover slowly.

CLEANING THE CARGO COVER

Use a sponge or cloth and a solution of mild liquid dishwashing soap and water to clean the cargo cover, then wipe it dry with a clean cloth or sponge.