



# INSTALLATION INSTRUCTIONS

Accessory

**XM RADIO SYSTEM**

Application

**2007 CIVIC  
2 AND 4 DOOR (EX)**

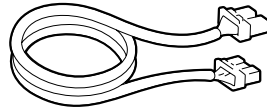
Publications No.  
**All 33760-34847**

Issue Date  
**FEB 2007**

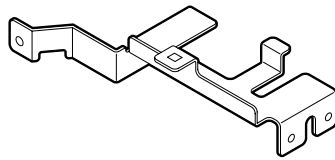
## PARTS LIST

**XM Radio Attachment (sold separately):  
P/N 08B15-SNA-100A**

Bus cable



Bracket



Turn nut



Clip



Rubber pad



4 Pan screws



4 Washers



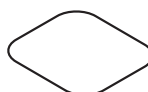
Flange bolt



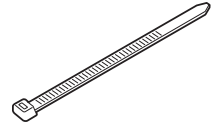
Washer-screw



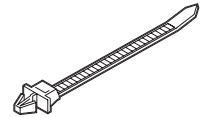
Cover seal



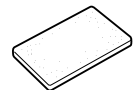
6 Wire ties



2 Wire ties with clip



6 Cushion tapes

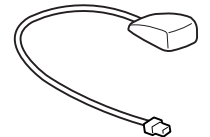


3 EPT sealers



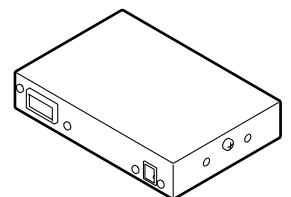
**XM Antenna (sold separately):  
P/N 08A15-0J1-100**

Antenna Assy



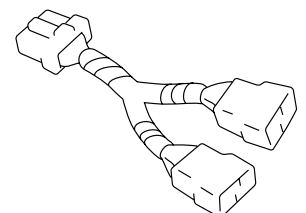
**XM Radio Unit (sold separately):  
P/N 08A15-3J1-000**

XM radio unit



**Y-Adapter Harness (sold separately):  
P/N 08A31-0F1-000**

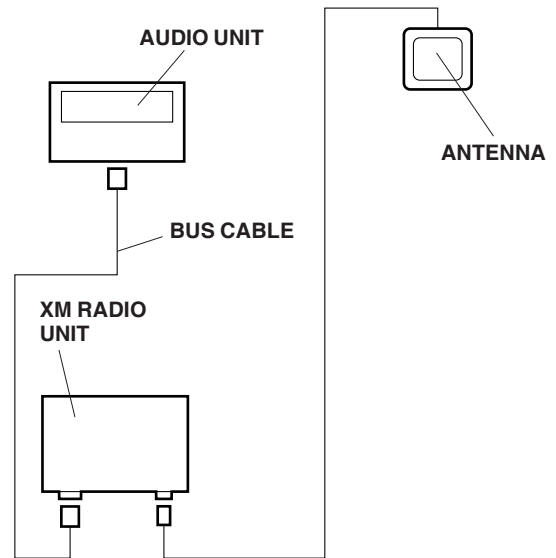
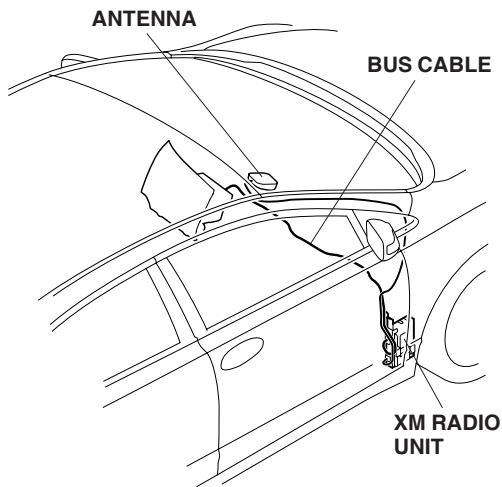
Y-Adapter harness



## TOOLS AND SUPPLIES REQUIRED

Phillips screwdriver  
Flat-tip screwdriver  
Utility knife  
Shop towel  
Scissors  
Ratchet  
8 mm, 10 mm and 14 mm Socket  
8 mm, 10 mm and 14 mm Combination wrenches  
Isopropyl alcohol (Isopropyl alcohol, in a 60/40 solution with water)  
Rubber mallet  
Masking tape  
Felt-tip pen  
TORX bit  
Drill  
3 mm and 8 mm Drill bits  
Eye protection  
Ruler

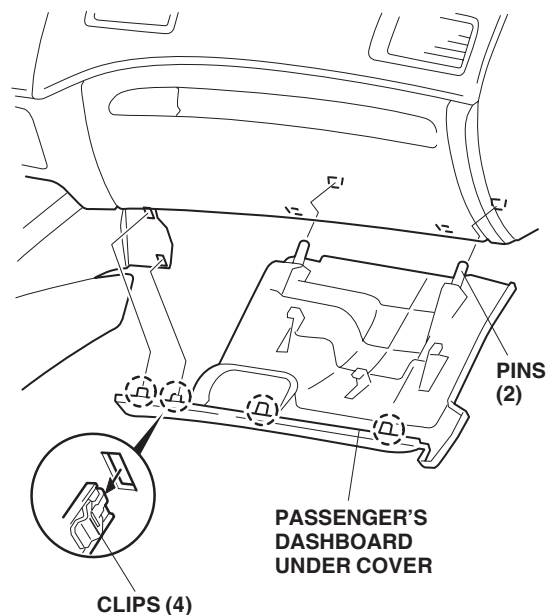
## Illustration of the XM Radio System Installed on the Vehicle



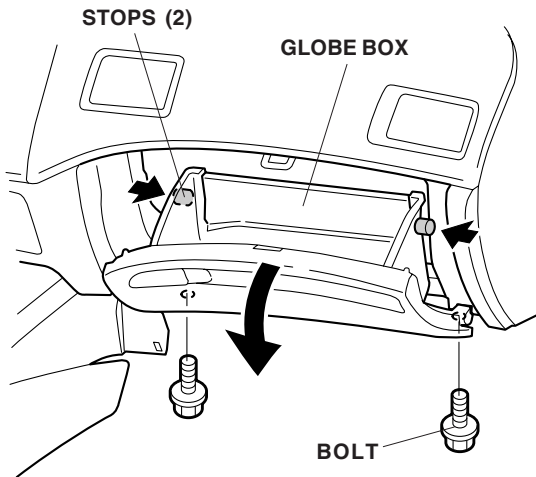
## INSTALLATION

**Customer Information:** The information in this installation instruction is intended for use only by skilled technicians who have the proper tools, equipment, and training to correctly and safely add equipment to your vehicle. These procedures should not be attempted by “do-it-yourselfers.”

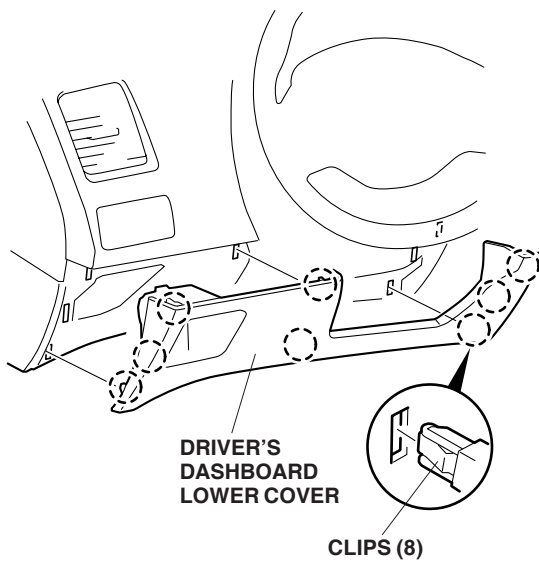
1. Make sure you have the anti-theft code for the radio, then write down the frequencies for the preset buttons.
2. Disconnect the negative cable from the battery.
3. Remove the passenger's dashboard under cover (four clips, and two pins).



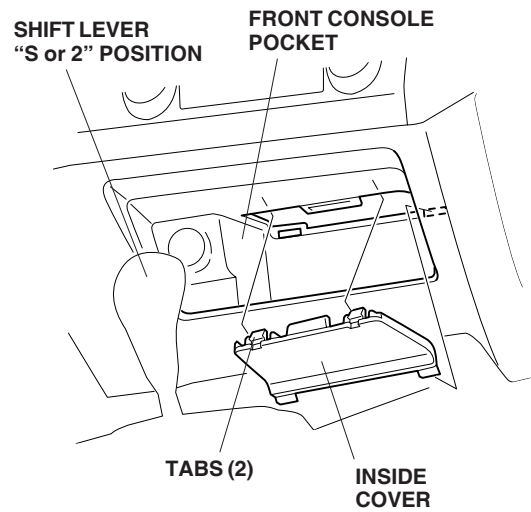
- Remove the two bolts under the glove box.



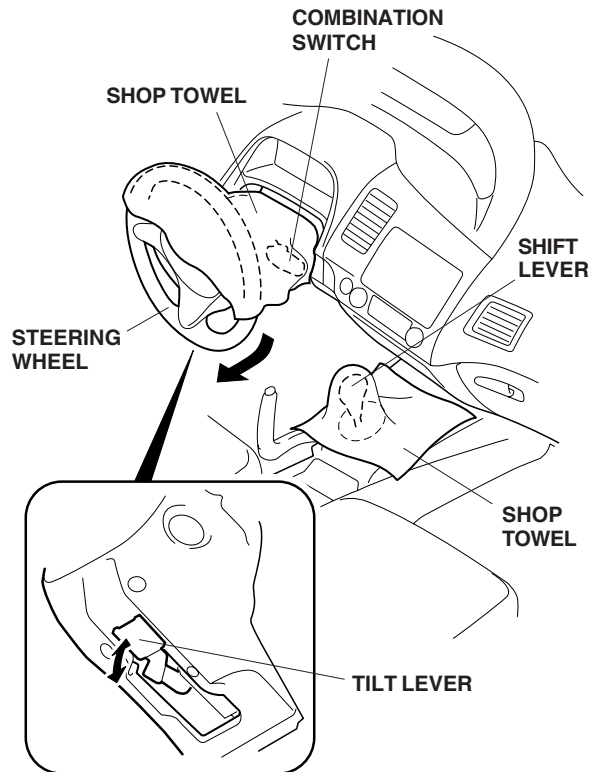
- Open and remove the glove box (two stops).
- Remove the driver's dashboard lower cover (eight clips).



- Remove the inside cover from the front console pocket (two tabs).

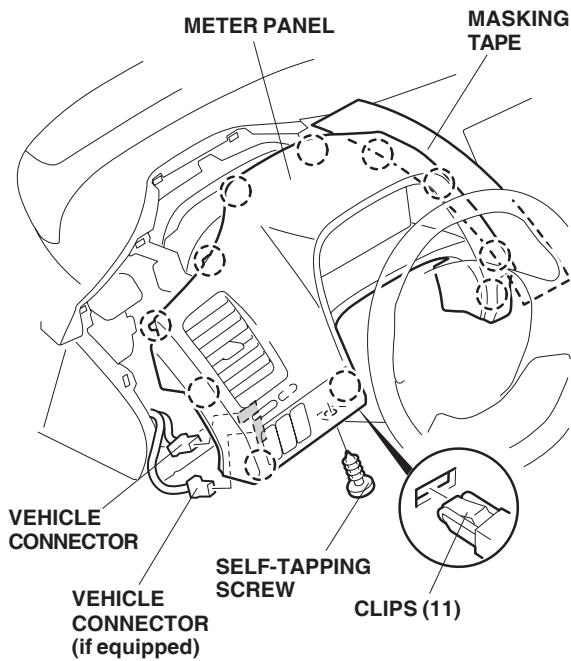


- Lower the tilt lever, then pull the steering wheel toward you.

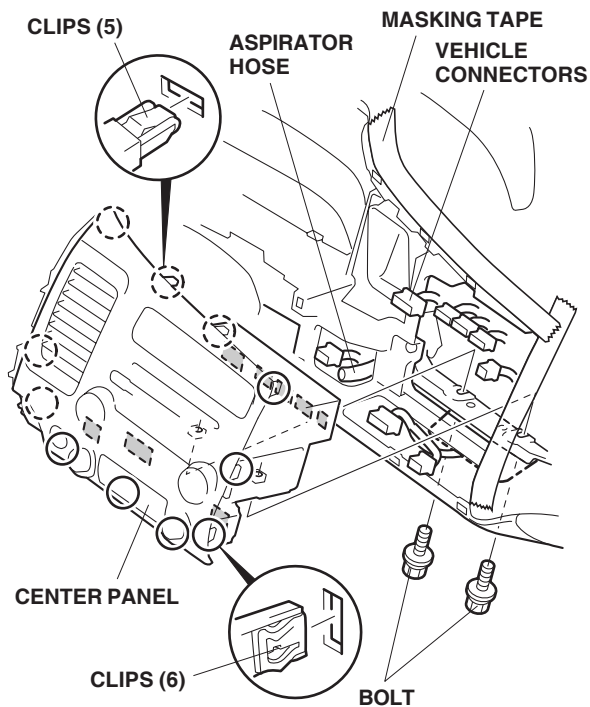


- To protect the dashboard area, put shop towels over the steering wheel and shift lever.

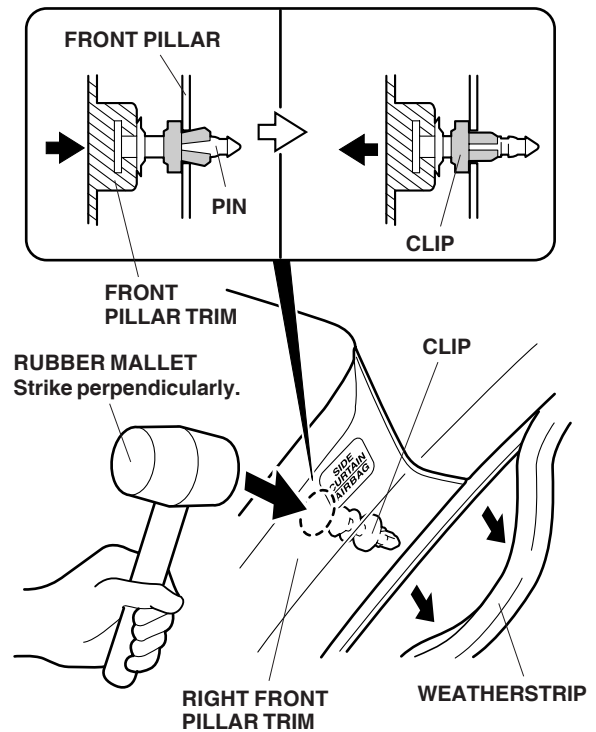
10. Apply masking tape to the meter panel as shown, and remove the meter panel (one self-tapping screw, 11 clips, and vehicle connectors).



11. Apply masking tape to the instrument panel as shown. Remove the center panel (two bolts, ten retaining clips, vehicle connectors and aspirator hose).



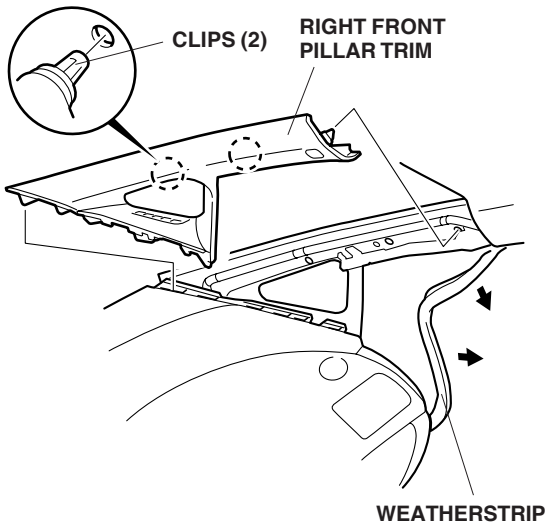
12. Remove the weatherstrip in the area shown.



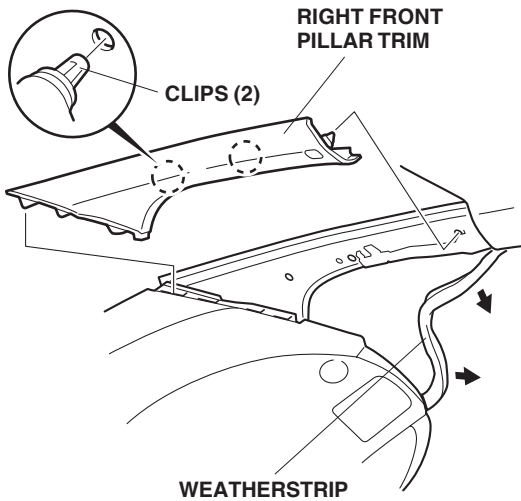
13. Push the clip into the vehicle side by striking the top of the right front pillar trim in the part marked "SIDE CURTAIN AIRBAG" with the rubber mallet. Remove the clip.

- Remove the weatherstrip in the area shown. Then remove the right front pillar trim (two clips).

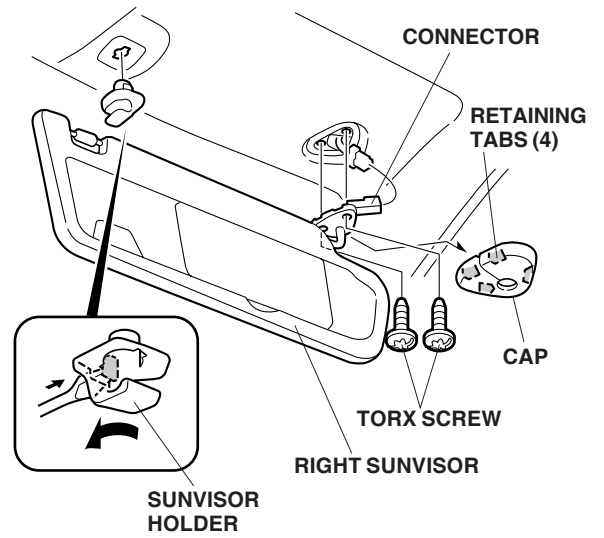
**4-Door Vehicle:**



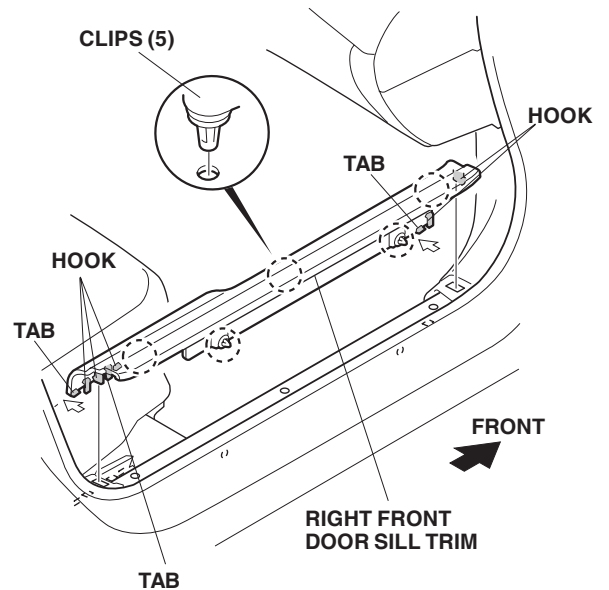
**2-Door Vehicle:**



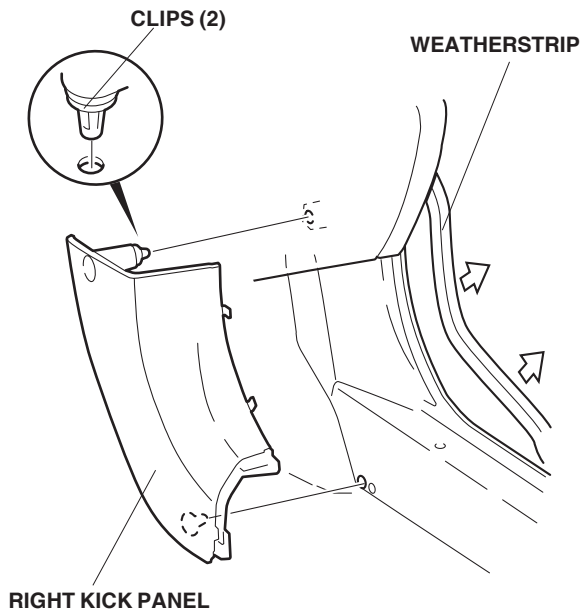
- Remove the cap from the right sunvisor (four retaining tabs).



- Remove the right sunvisor (two T25 TORX screws, and unplug the vehicle connector).
- Remove the sunvisor holder. Turn the holder 90°, then pull it out.
- Remove the right front door sill trim (three tabs, five clips, and five hooks).

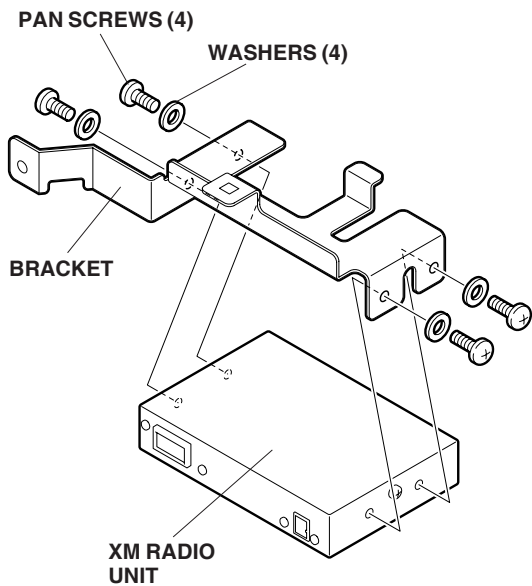


19. Remove the weatherstrip, then remove the right kick panel (two clips).

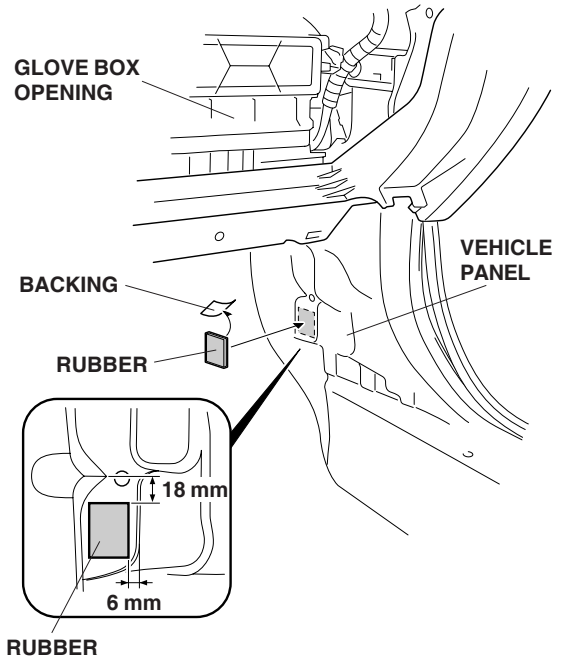


### Installing the XM Radio Unit

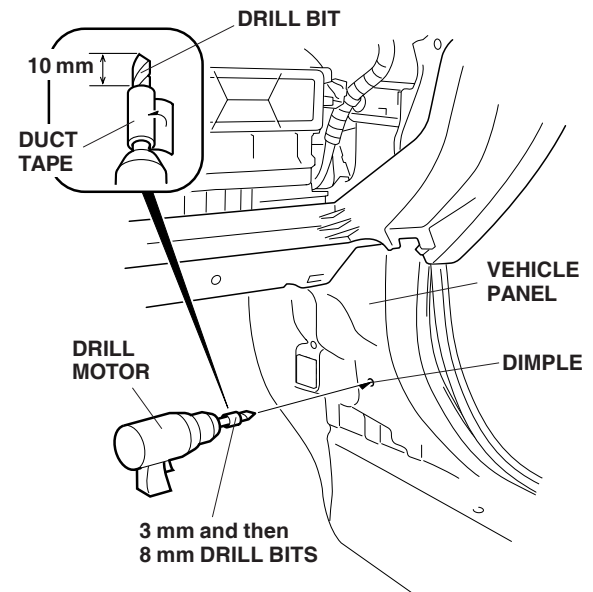
20. Using four pan screws and four washers, secure the bracket to the XM radio unit.



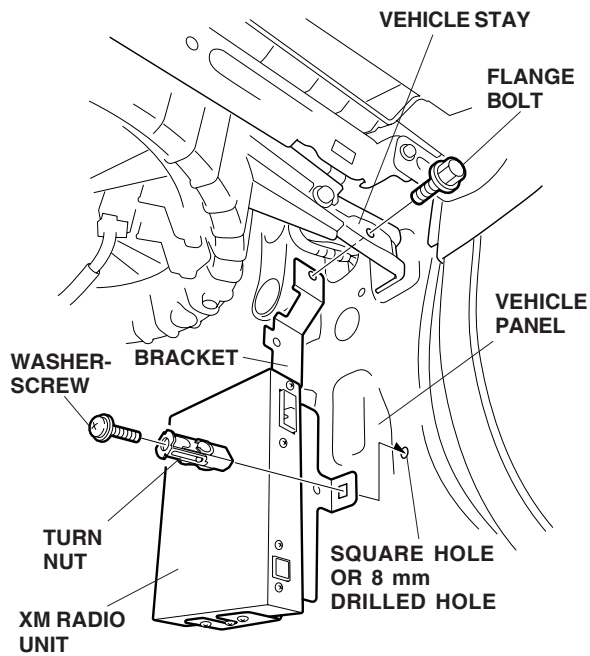
21. Using isopropyl alcohol on a shop towel, clean the area shown where the rubber pad will attach. Attach the rubber pad to the vehicle panel.



22. **2-Door vehicle only:** While wearing eye protection, drill through the dimple on the vehicle panel with a 3 mm drill bit and then finish with an 8 mm drill bit. Use a drill stop to avoid drilling through the inner panel.

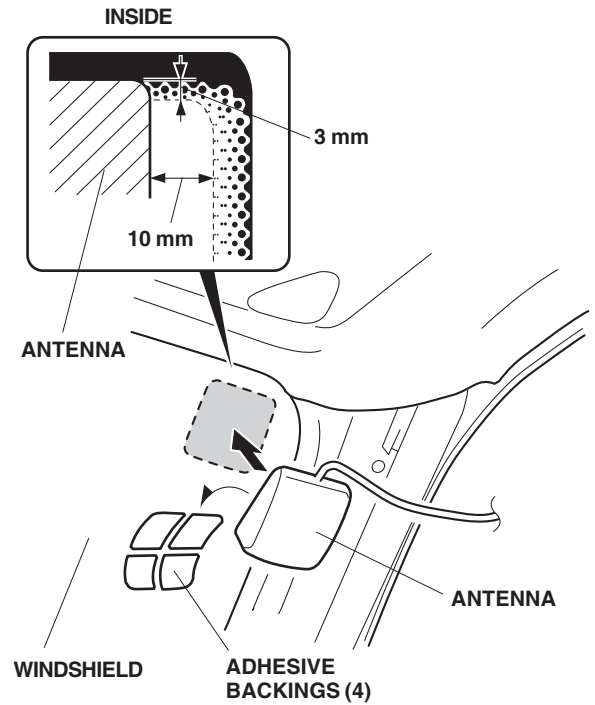


23. Using one flange bolt, one turn nut, and one washer-screw, secure the XM radio unit and bracket to the vehicle stay and to the vehicle panel.



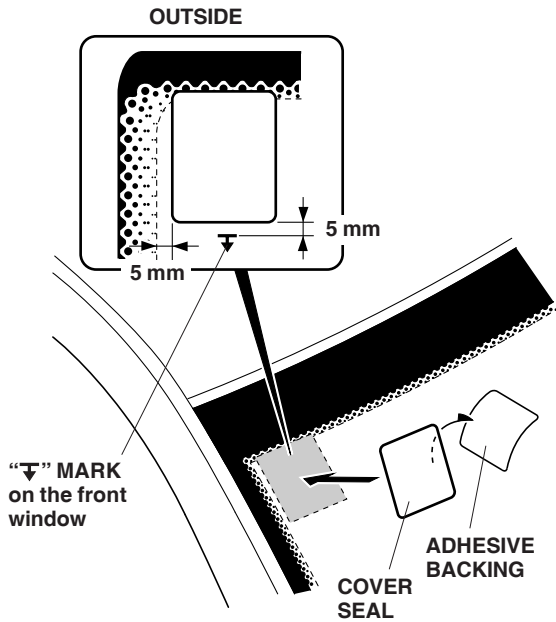
### Routing the Antenna Cable

24. Using isopropyl alcohol on a shop towel, clean the right front upper corner on the inside of the windshield.

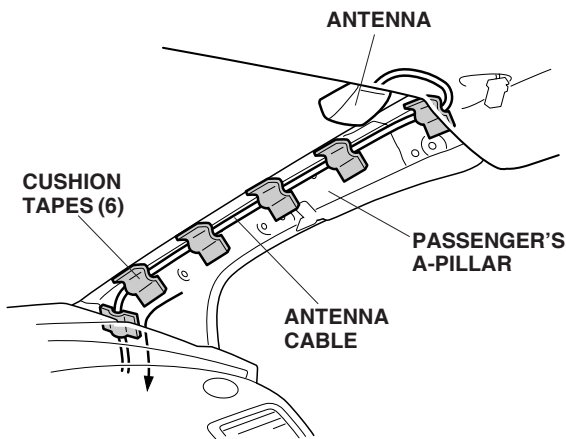


25. Remove the adhesive backings from the antenna, and attach the antenna to the windshield at the location shown. Install the antenna by applying sufficient pressure.

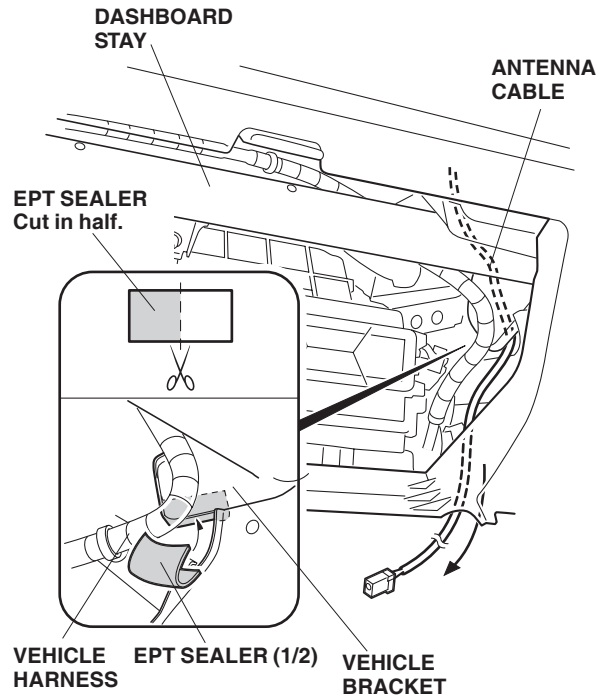
26. Using isopropyl alcohol on a shop towel, clean the area shown on the outside of the windshield.



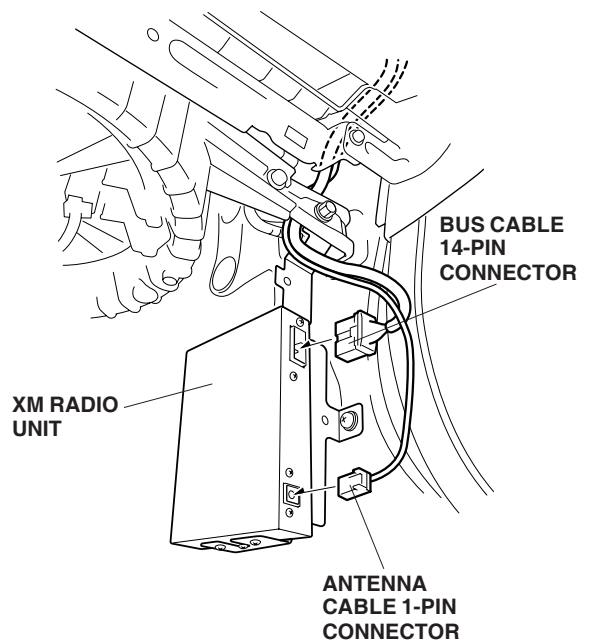
27. Remove the adhesive backing from the cover seal and attach it to the outside of the windshield in the location shown.
28. Route the antenna cable down along the passenger's A-pillar. Using six cushion tapes, secure the antenna cable to the A-pillar panel in the areas shown.



29. Route the antenna cable down to the XM radio unit.

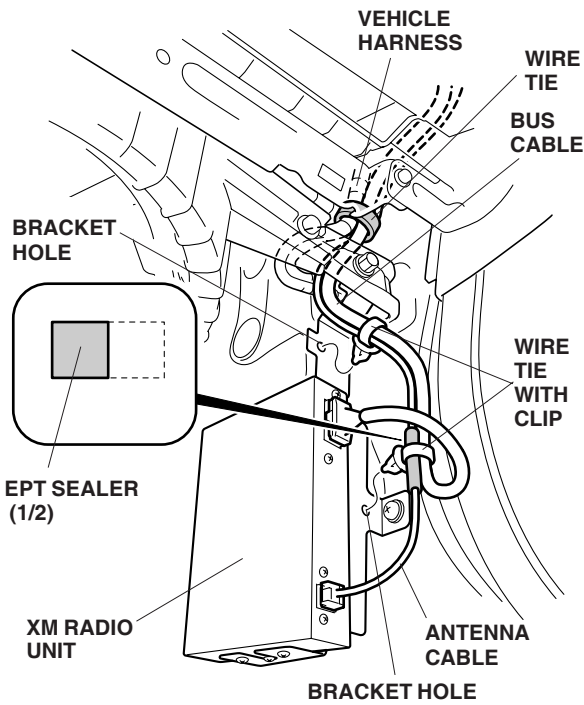


30. Using scissors, cut one EPT sealer in half.
31. Using isopropyl alcohol on a shop towel, clean the area where the EPT sealer will attach. Attach one cut piece of EPT sealer to the vehicle bracket as shown.
32. Plug the antenna cable 1-pin connector and the bus cable 14-pin connector into the XM radio unit

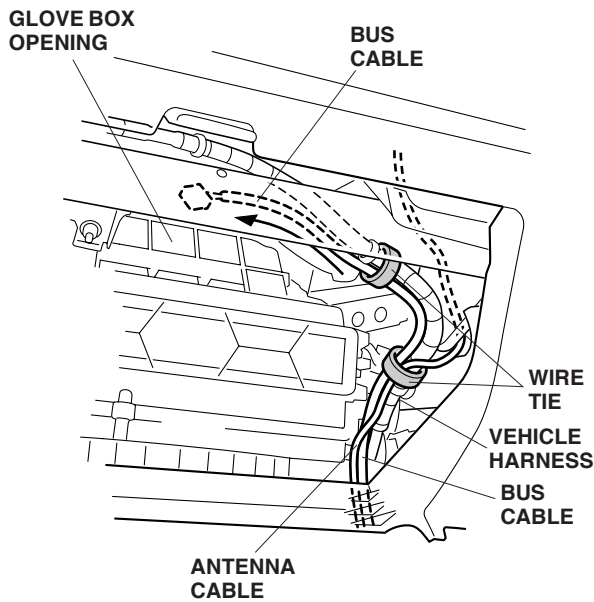




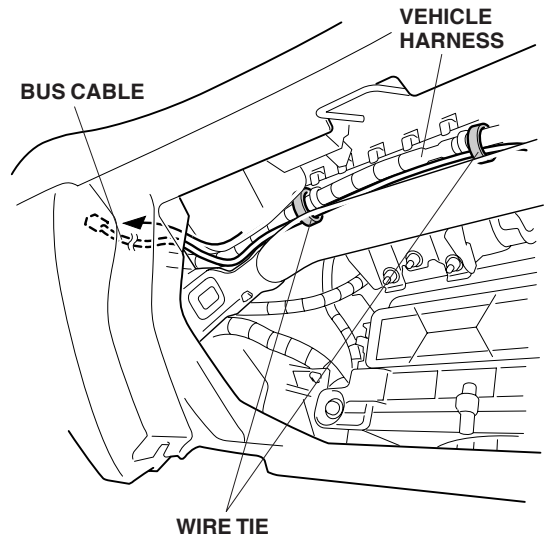
33. Attach the cut piece of EPT sealer to the antenna cable as shown.



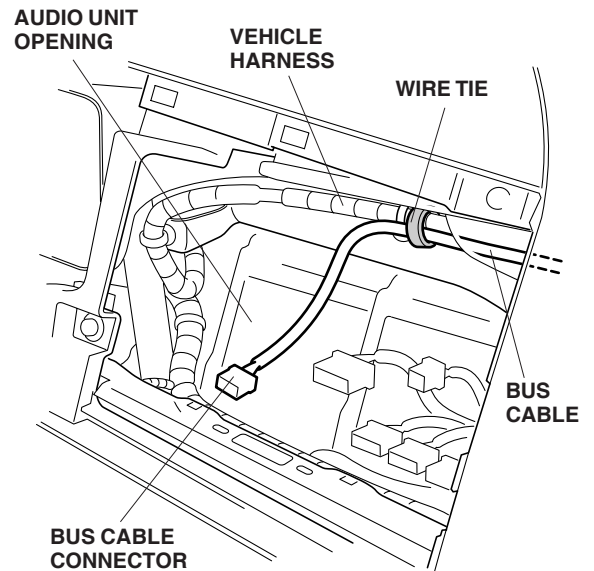
34. Using two wire ties with clips, secure the antenna cable and the bus cable to the bracket holes as shown.
35. Using one wire tie, secure the bus and antenna cables to the vehicle harness in the area shown.
36. Route the bus cable up along the antenna cable. Using two wire ties, secure the bus and antenna cables to the vehicle harness.



37. In the glove box opening, route the bus cable along the vehicle harness and towards the audio unit opening.

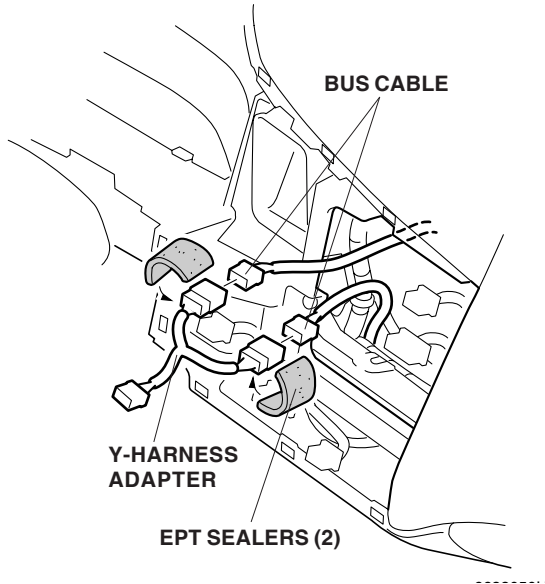


38. Using two wire ties, secure the Bus cable to the vehicle harness.
39. Using one wire tie, secure the bus cable to the vehicle harness in the area shown.



*If the vehicle you're working on is equipped with a CD Changer, continue with step 40; otherwise, go to step 42.*

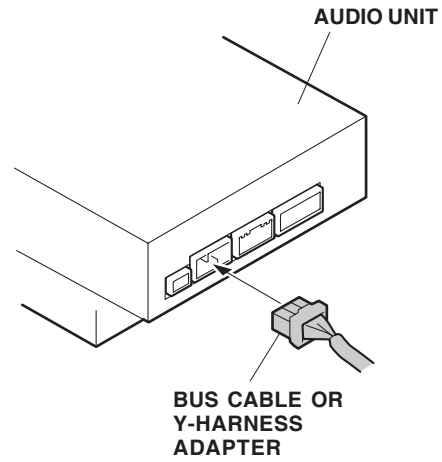
40. Plug the Y-harness adapter connectors in the two bus cables.



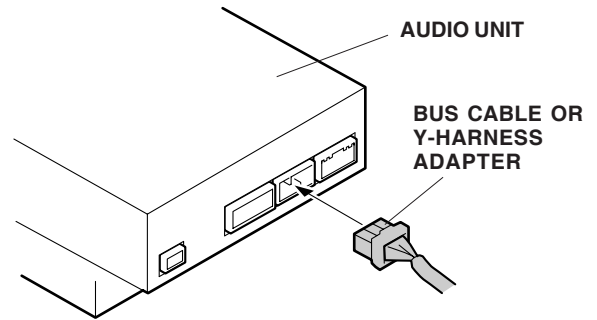
41. Using two EPT sealers, wrap the two plugged connectors.

42. Plug the bus cable connector into the audio unit.

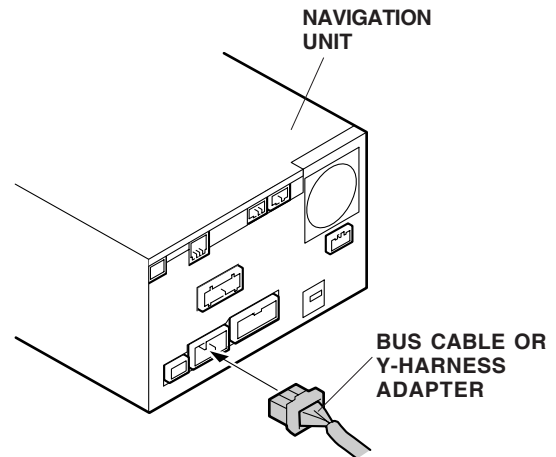
**4-Door:**



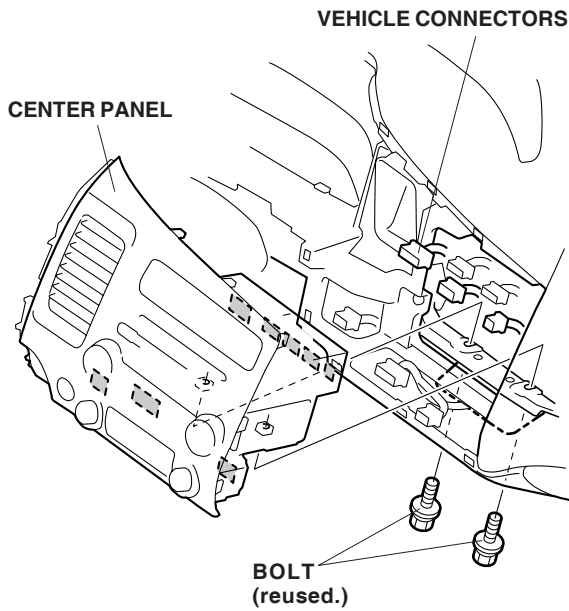
**2-Door:**



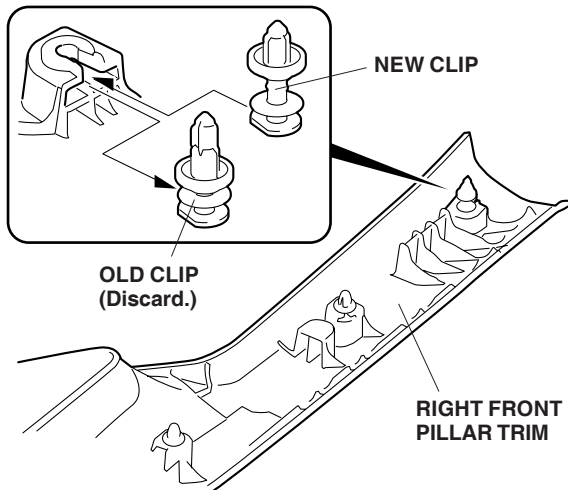
**With Navigation Unit**



43. Connect the vehicle connectors to the center panel, and reinstall the center panel.



44. Replace the old clip on the right front pillar trim with the new clip included in the kit.



45. Check that all wire harnesses are routed properly and all connectors are plugged in.
46. Reconnect the negative cable to the battery.
47. Enter the customer's radio anti-theft code, and reset the radio station presets.
48. Set the clock.
49. Check the operation of the XM radio system according to the vehicle's Owner's Manual.
50. Reinstall all removed parts.