



INSTALLATION INSTRUCTIONS

Accessory

REAR BUMPER TRIM
P/N 08P02-SCV-100

Application

2008 ELEMENT
(EXCEPT SC)

Publications No.

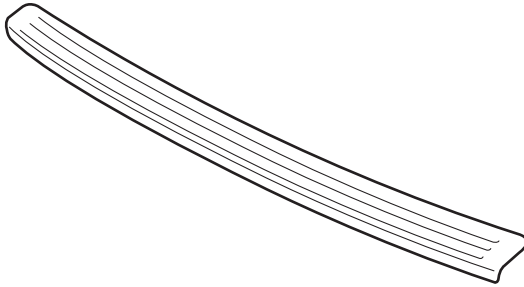
All 36544

Issue Date

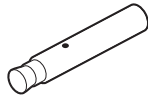
MAY 2007

PARTS LIST

Rear bumper trim



2 Primers



SUPPLIES REQUIRED

Isopropyl alcohol

Shop towel

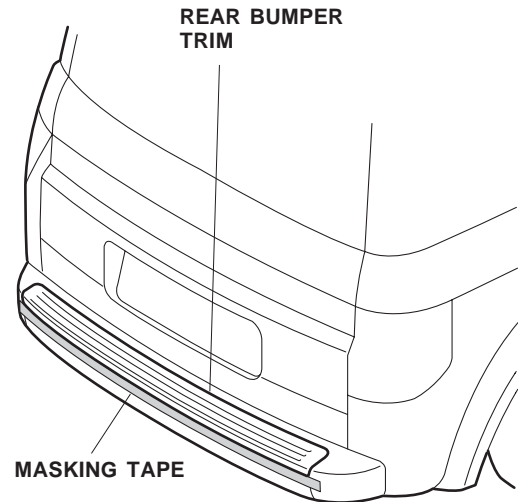
Masking tape

INSTALLATION

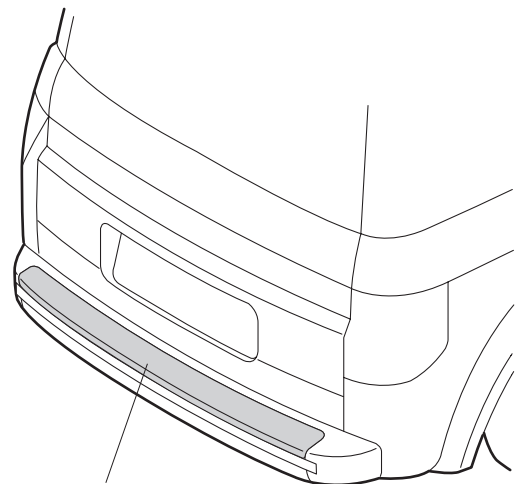
NOTE:

- Be careful not to damage the body paint finish.
- Install this rear bumper trim only if the outside air temperature is 60°F (15°C) or above.
- Read the label on the primer before using.
- To allow the adhesive to cure, do not wash the vehicle for 24 hours.

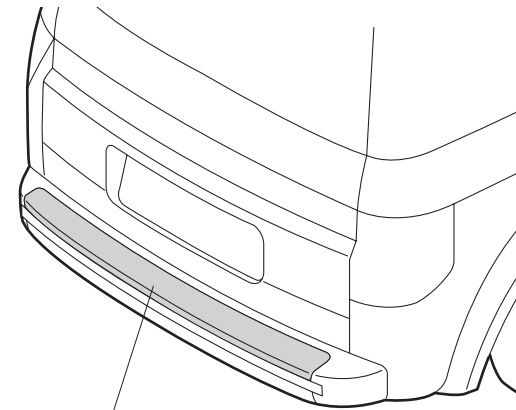
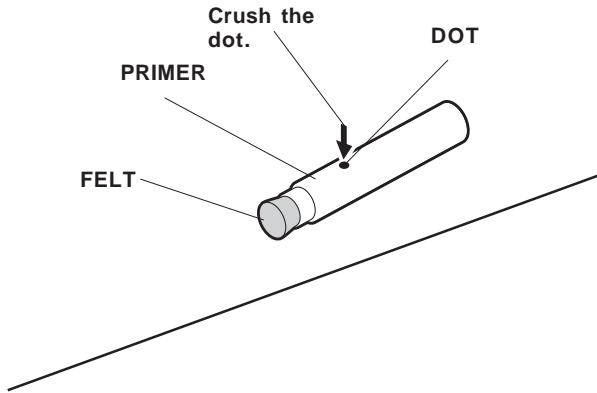
1. To locate the area to be cleaned, position the trim on the rear bumper, and align it with the recess in the bumper. Attach a piece of masking tape to the bumper along the bottom edge of the trim. Remove the trim.



2. Using isopropyl alcohol on a shop towel, clean the rear bumper where the trim will attach.

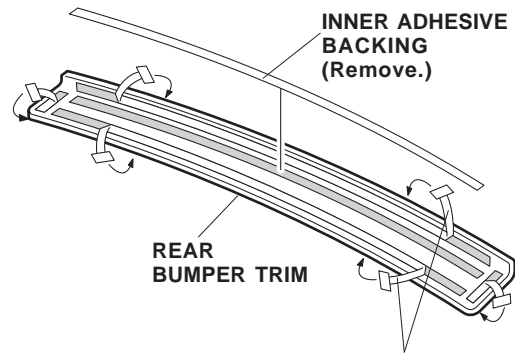


3. Apply the primer to the rear bumper:
 - Using your thumb, crush the dot on the primer container, then push the felt until it soaks up the primer.
 - Using both containers, apply primer to the rear bumper. Wipe up any spilled or excess primer.
 - Allow the primer to dry for at least 5 minutes.



Apply the primer to the shaded area.

4. On the back of the rear bumper trim, attach a strip of masking tape to the end of each outer adhesive backing, and peel back 2 to 3 inches (5 to 8 cm) of the adhesive backing. Fold the ends back, then tape them to the front of the rear bumper trim. Remove and discard all of the inner adhesive backing.

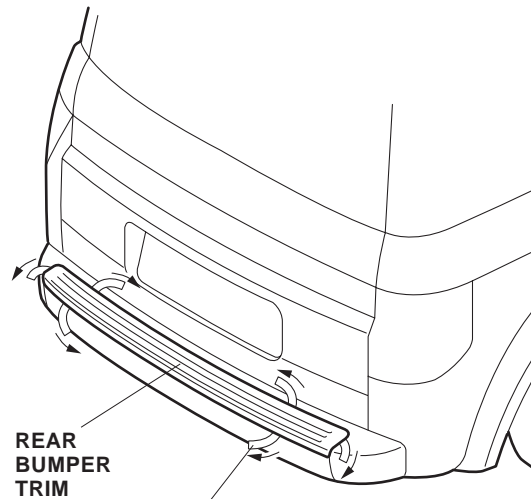


INNER ADHESIVE BACKING (Remove.)

REAR BUMPER TRIM

OUTER ADHESIVE BACKING (Attach a strip of masking tape to the end, and peel back 2 to 3 inches (5 to 8 cm) of the adhesive backing. Fold the ends back, and tape them to the front of the rear bumper trim.)

5. Position the rear bumper trim on the rear bumper. While applying light pressure on the rear bumper, carefully remove all the adhesive backing strips from the rear bumper trim.



REAR BUMPER TRIM

ADHESIVE BACKING (Carefully remove while holding pressure on the trim. After attaching, hold the trim firmly against the rear bumper with the palm of your hand.)

6. After installing the rear bumper trim, apply pressure to the bumper trim with the palm of your hand for 30 seconds.