



# INSTALLATION INSTRUCTIONS

Accessory

CROSSBARS (EX)  
P/N 08L04-S9V-100A

Application

2008 PILOT

Publications No.

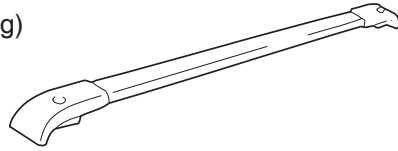
All 37155

Issue Date

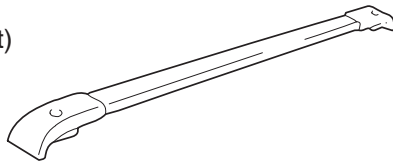
JUNE 2007

## PARTS LIST

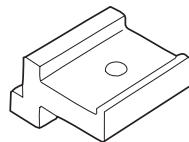
Front cross bar (long)



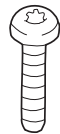
Rear cross bar (short)



4 Holders



4 Torx bolts



4 Lock washers



4 Washers



## TOOLS REQUIRED

Small flat-tip screwdriver

T-30 Torx bit

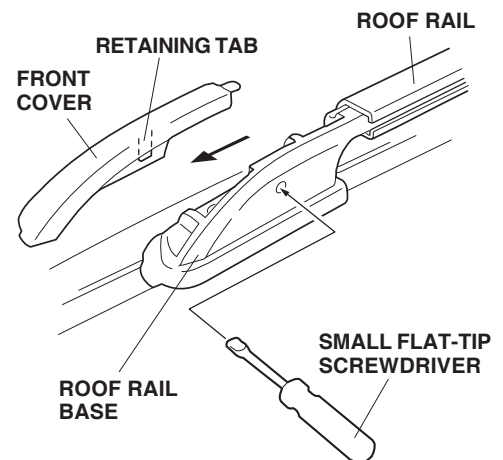
T-15 Torx bit

## INSTALLATION

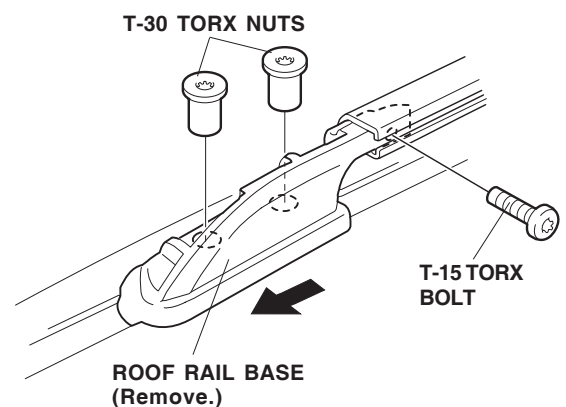
**Customer Information:** The information in this installation instruction is intended for use only by skilled technicians who have the proper tools, equipment, and training to correctly and safely add equipment to your vehicle. These procedures should not be attempted by "do-it-yourselfers."

### NOTE:

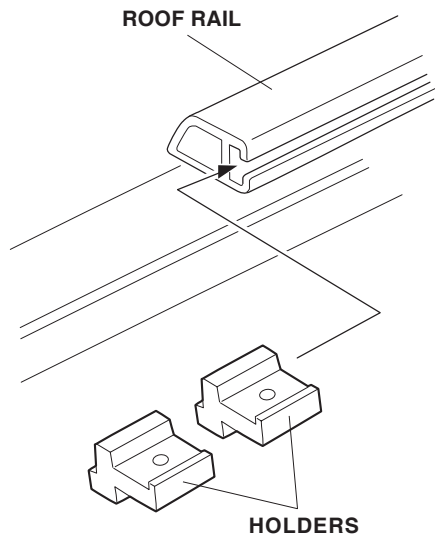
- Wipe the roof rails before installing the crossbars.
  - Be extremely careful not to damage the body paint.
1. Insert a small flat-tip screwdriver into the hole on the inside of the roof rail base and release the retaining tab, then remove the front cover.



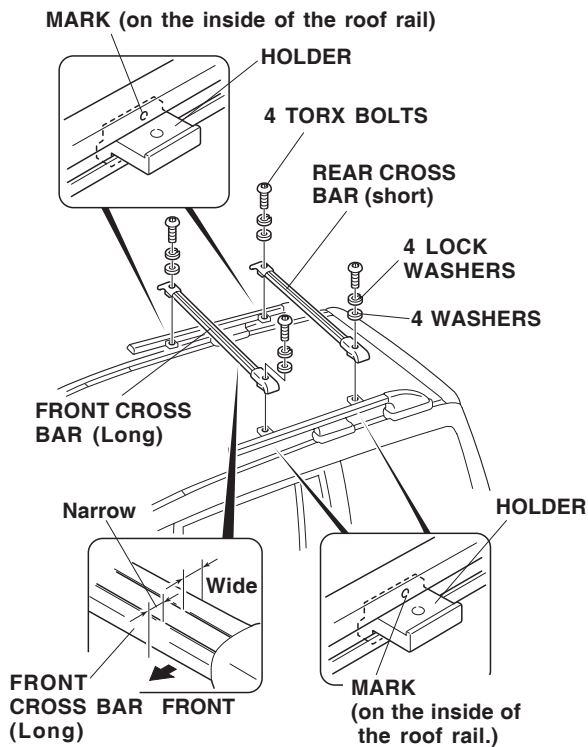
2. Remove the roof rail base from the roof (two Torx nuts and one bolt).



3. Insert the two holders in the groove of the roof rail.



4. Repeat steps 1 through 3 on the other roof rail.
5. Slide each holder back, and align the hole in the holder with mark on the inside of the roof rail.



6. Position the cross bars on the holders, and install the Torx bolts with lock washers and washers. Torque the bolts to 10 N·m (7 lb-ft).
7. Reinstall the roof rail bases and the front covers.

## USE AND CARE

- Check the roof rack cross bar mounting bolts frequently, and retighten them if necessary.
- Distribute the weight of the cargo evenly, and do not exceed the maximum weight capacity of 165 lbs (75 kg).

