

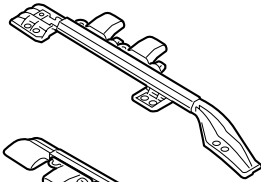


# INSTALLATION INSTRUCTIONS

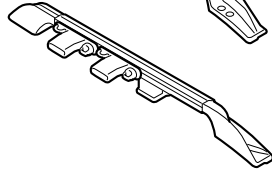
Accessory <b>ROOF RACK P/N 08L02-SJC-100</b>	Application <b>2008 RIDGELINE</b>	Publications No. <b>All 36617</b>
		Issue Date <b>MAY 2007</b>

## PARTS LIST

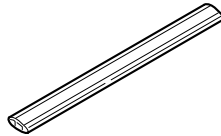
Right side rail



Left side rail



2 Cross bars



Right front cover



Left front cover



Right center cover



Left center cover



Right rear cover



Left rear cover



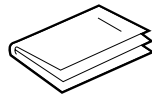
12 Torx nuts



8 Torx self-tapping screws



Owner's manual (not in kit)



## TOOLS REQUIRED

T-30 Torx bit

T-25 Torx bit

Hacksaw

Tape measure

Trim removal tool

Long nose plier

KTC Trim tool set

T/N SOJATP2014

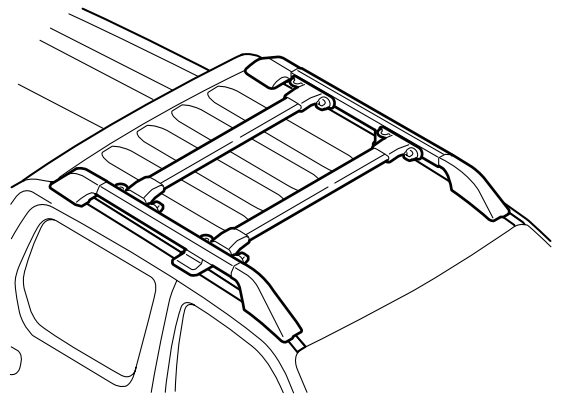
## INSTALLATION

**Customer Information:** The information in this installation instruction is intended for use only by skilled technicians who have the proper tools, equipment, and training to correctly and safely add equipment to your vehicle. These procedures should not be attempted by "do-it-yourselfers".

### NOTE:

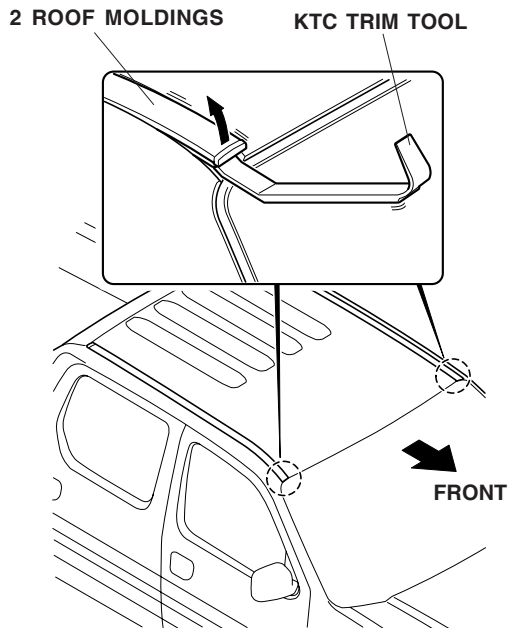
- Wipe off the roof moldings before installing the roof rack.
- Be extremely careful not to damage the body paint.

### Illustration of the Roof Rack Installed on the Vehicle

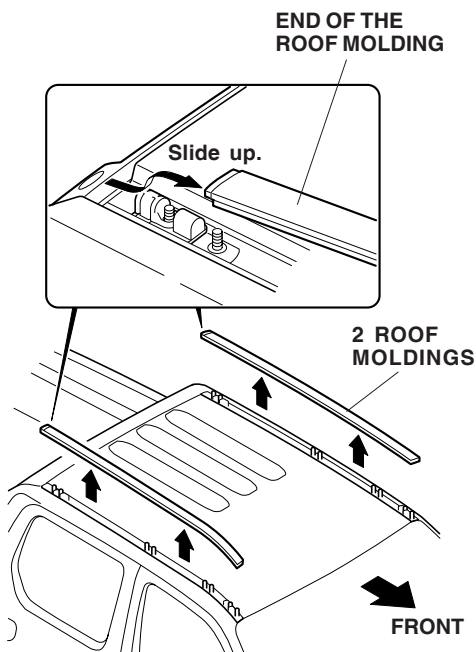


## Cutting the roof molding

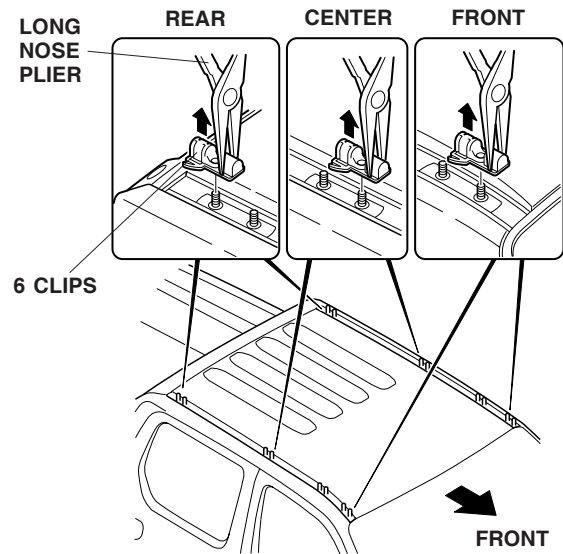
- Using the appropriate trim tool, pry up on the front of each roof molding.



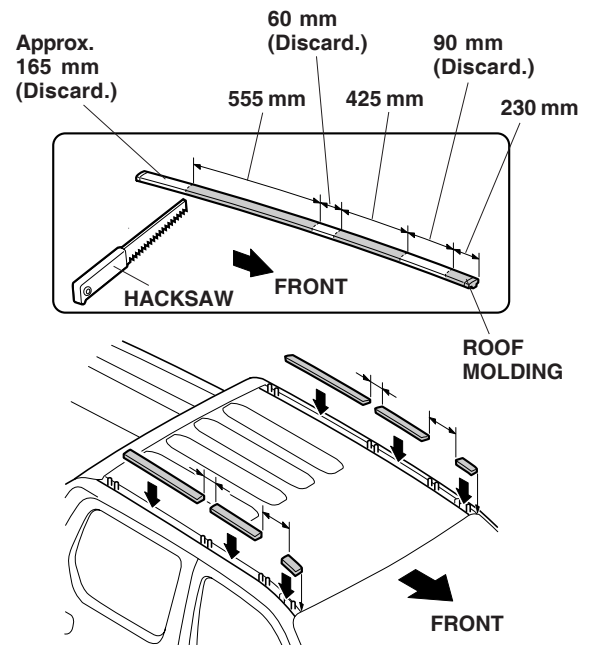
- Slide up the end of the roof molding and remove the roof molding.



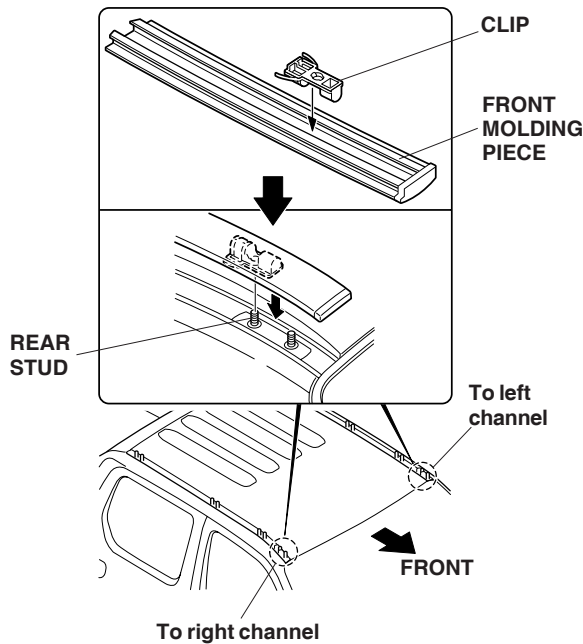
- Remove the six clips from the roof channels.



- Using a hacksaw, cut each roof molding according to the dimensions shown.



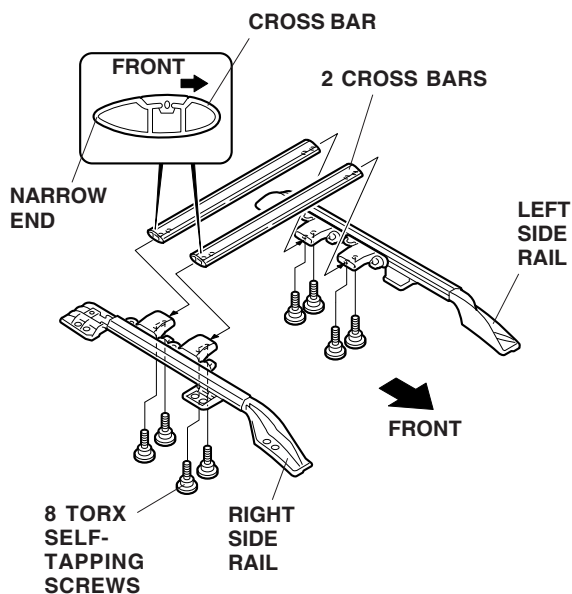
- Reinstall the clip in the front molding piece, then install it on the rear stud in the front of the channel.



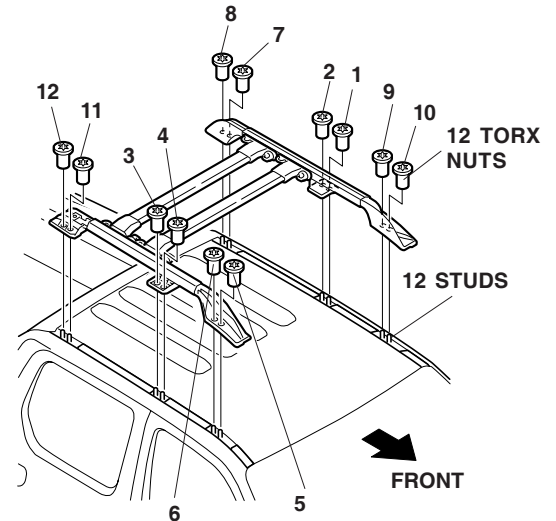
- Reinstall all the molding you retained in step 4 in the roof channels.

### Assembling the Roof Rack

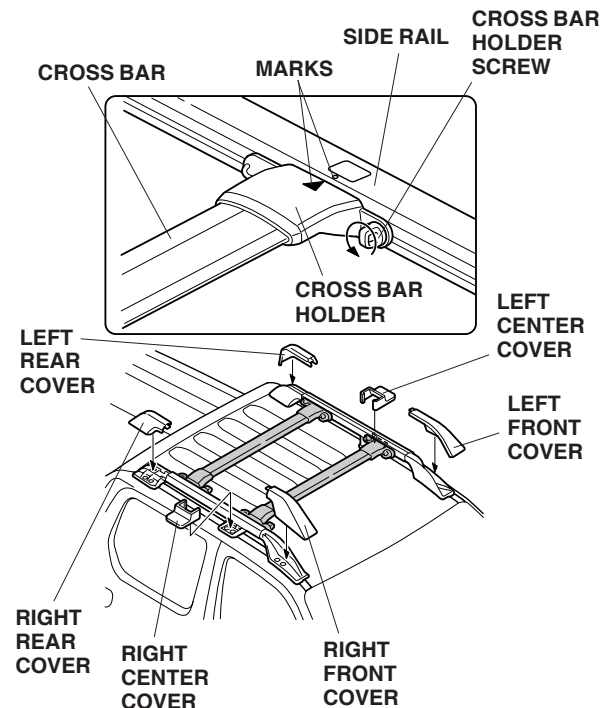
- Install the two cross bars to the cross bar holders of the left and right side rails with the eight torx self-tapping screws (T-25). Note the direction of the cross bar for installation. Turn the narrow end of the cross bar toward the rear.



- Place the roof rack assembly onto the vehicle roof. Align the roof rack holes with the studs in the vehicle roof. Take care not to damage the body paint. Install the roof rack assembly with twelve torx nuts (T-30). Torque the nuts in the order shown to 10 N·m (7 lb-ft).



- Install the six roof rack covers.
- Loosen the cross bar holder screws. Align the marks (△) on the cross bar holder with the marks (○) on the side rails by moving the cross bars. Tighten the cross bar holder screws.



11. To reduce wind noise, cut the rubber molding from each roof rack and install the pieces of the rubber molding you just cut between the crossbars.

#### **USE AND CARE**

- Check the roof rack cross bar mounting nuts frequently, and retighten them if necessary.
- Distribute the weight of the cargo evenly, and do not exceed the maximum weight capacity of 110 lbs (50 kg).