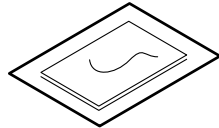


**PARTS LIST**

4 Corner protectors



4 Alcohol swabs

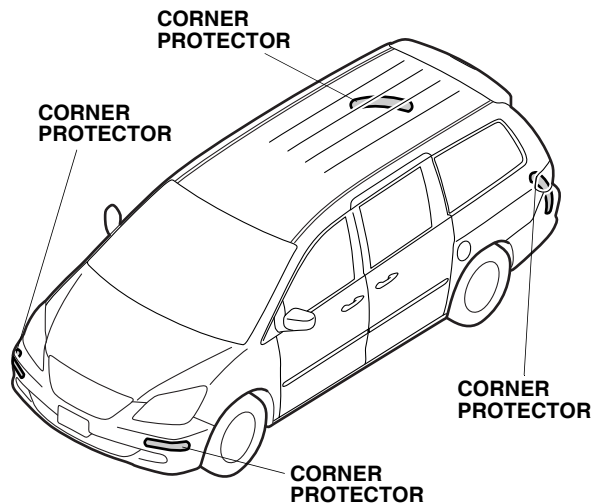
**TOOLS AND SUPPLIES REQUIRED**

Tape measure

Felt-tip pen

Masking tape

Rubber roller

**Illustration of the Corner Protectors Installed on the Vehicle****INSTALLATION**

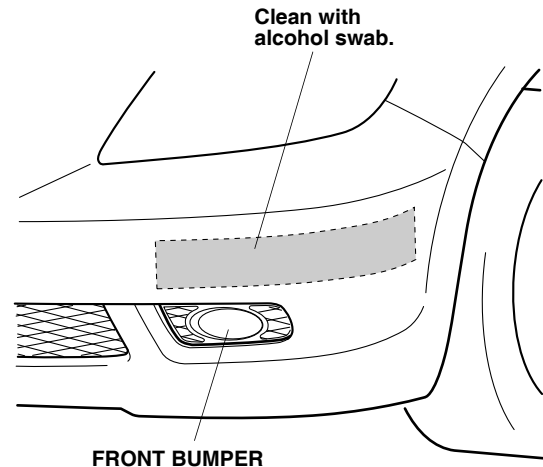
**Customer Information:** The information in this installation instruction is intended for use only by skilled technicians who have the proper tools, equipment, and training to correctly and safely add equipment to your vehicle. These procedures should not be attempted by “do-it-yourselfers.”

**NOTE:**

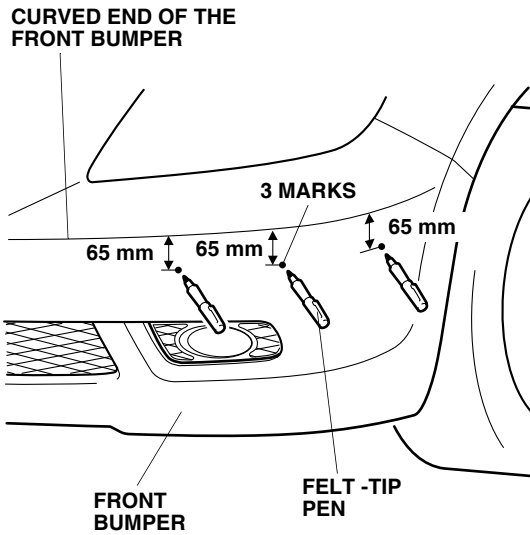
- Take care not to damage the body paint finish.
- This corner protector kit should be installed only if the ambient air temperature is 15°C (60°F) or above.
- Wash and wax the areas to be covered with a high quality paste wax.
- To allow the adhesive to cure, do not wash the vehicle for 24 hours. Please advise the customer.

**Installing the Front Corner Protector**

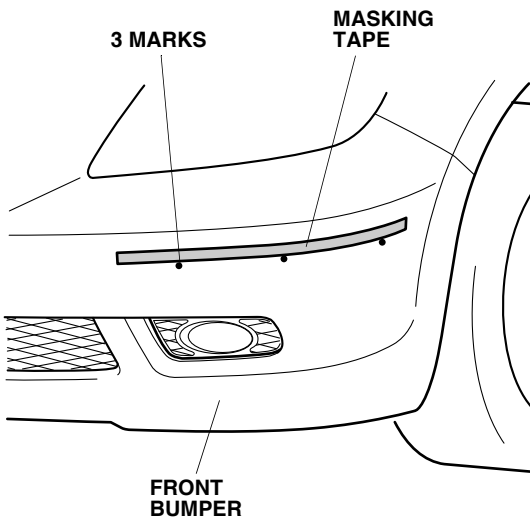
1. Using an alcohol swab, thoroughly clean the bumper area where the corner protector will attach.



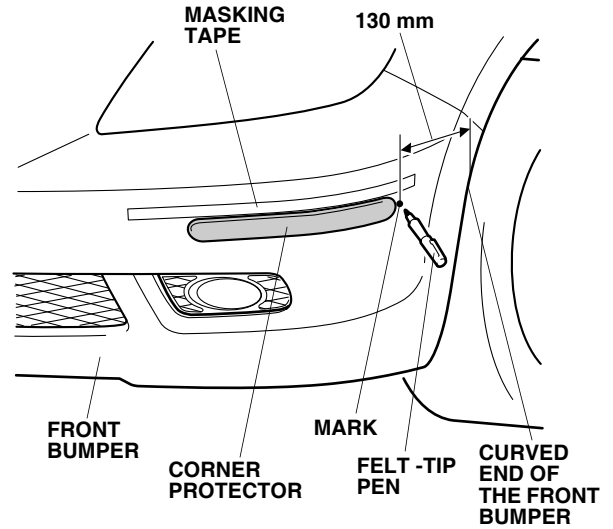
2. Using a tape measure and a felt-tip pen, measure and mark three locations on the front bumper.



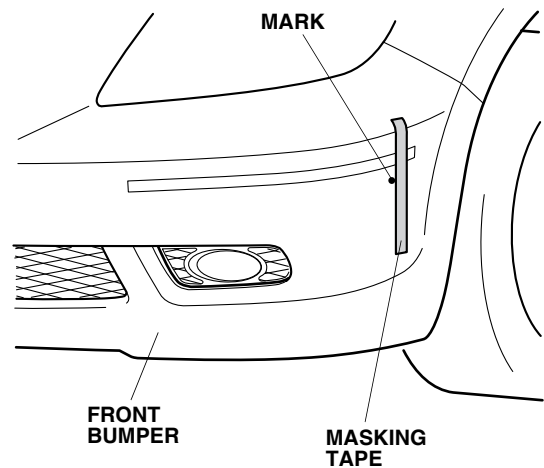
3. Attach a piece of masking tape along the bumper at the three marks you made on the front bumper, then erase the marks.



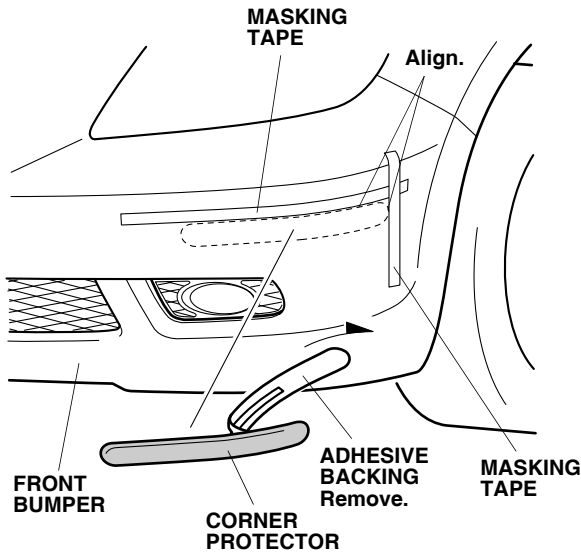
4. Position the corner protector on the front bumper at the measurement shown. Using a felt-tip pen, mark the front bumper at the measurement.



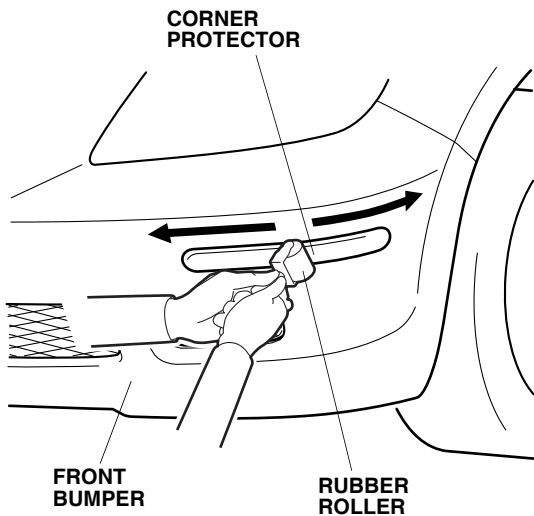
5. Attach a piece of masking tape vertically at the mark made on the front bumper, then erase the mark.



- Check the back of the corner protector for the correct orientation, then remove the adhesive backing from the corner protector.



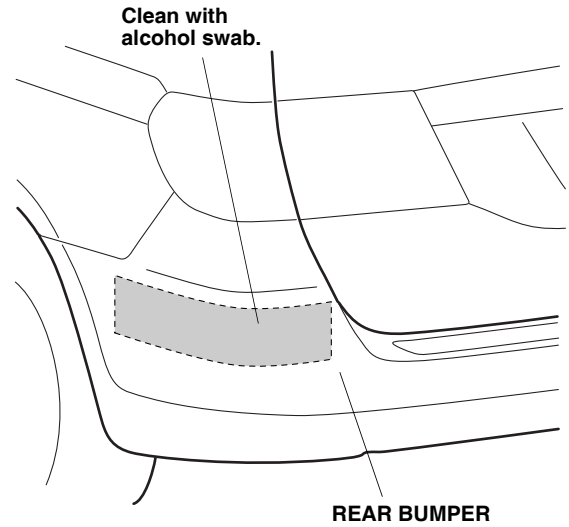
- Align the corner protector with the masking tape and attach it to the front bumper. Remove the masking tape.
- Using a rubber roller, apply pressure against the corner protector and roll from one end to the other.



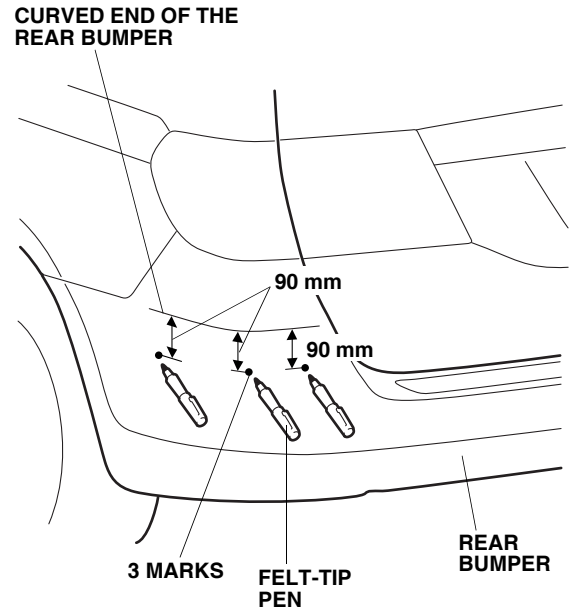
- Repeat steps 1 through 8 to install the right front corner protector to the front bumper.

## Installing the Rear Corner Protector

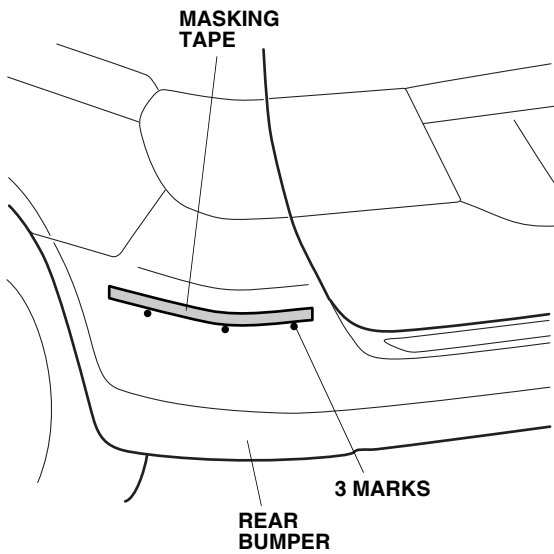
- Using an alcohol swab, thoroughly clean the bumper area where the corner protector will attach.



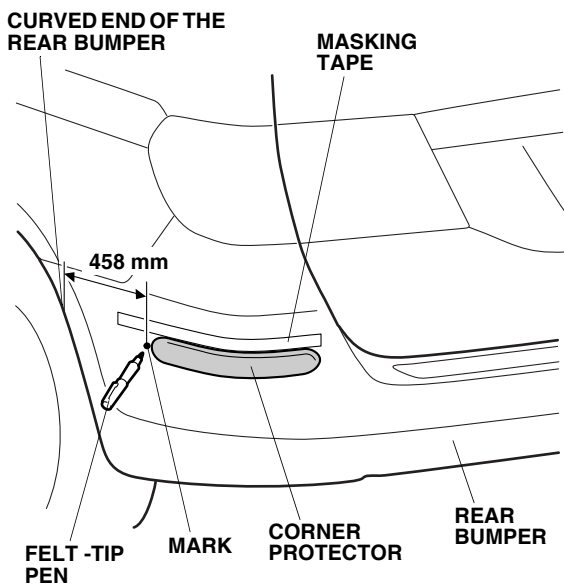
- Using a tape measure and a felt-tip pen, measure and mark three locations on the rear bumper.



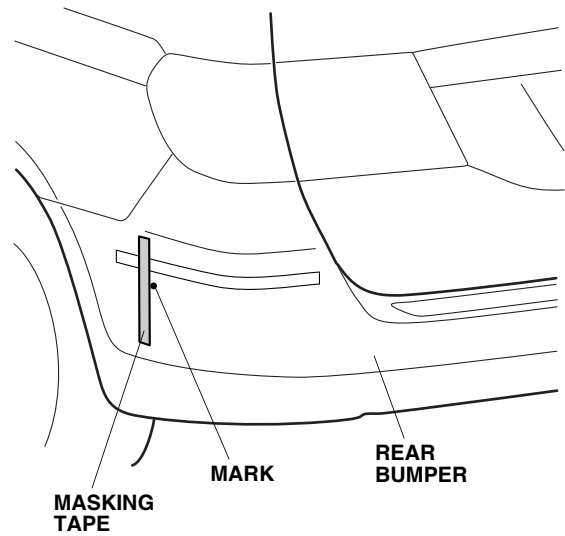
- Attach a piece of masking tape along the three marks you made on the rear bumper, then erase the marks.



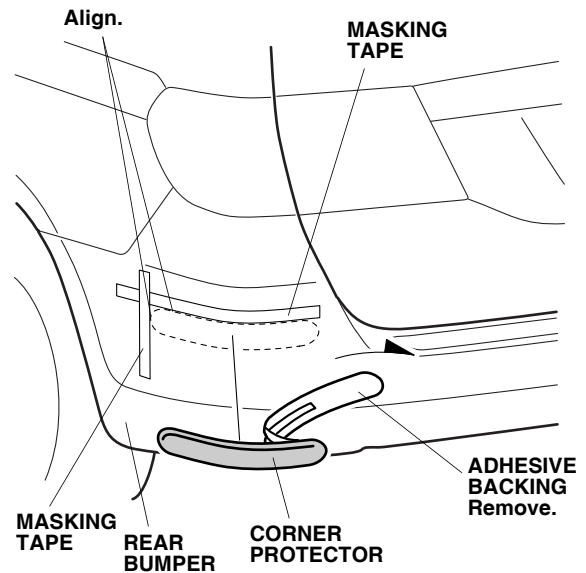
- Position the corner protector on the rear bumper at the measurement shown. Using a felt-tip pen, mark the rear bumper at the measurement.



- Attach a piece of masking tape vertically at the mark made on the rear bumper, then erase the mark.

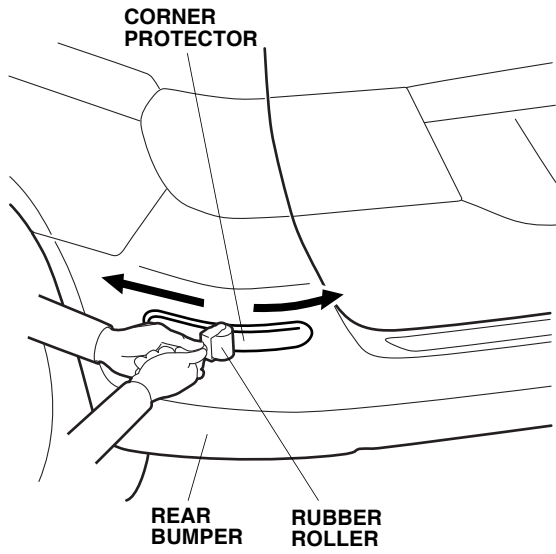


- Check the back of the corner protector for the correct orientation, then remove the adhesive backing from the corner protector.



- Align the corner protector with the masking tape attach it to the rear bumper. Remove the masking tape.

17. Using a rubber roller, apply pressure against the corner protector and roll from one end to the other.



18. Repeat steps 10 through 17 to install the right rear corner protector to the rear bumper.