



INSTALLATION INSTRUCTIONS

Accessory

**FULL NOSE MASK
P/N 08P35-SHJ-100**

Application

2010 ODYSSEY

Publications No.

All 41830

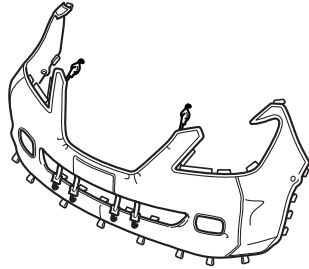
Issue Date

JUNE 2009

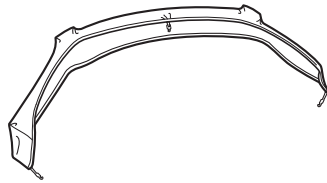
Put this information in the glove box with the vehicle owner's manual.

PARTS LIST

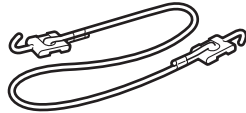
Mask
(bumper section)



Mask
(hood section)



Bungee cord



TOOLS REQUIRED

Stubby #2 Phillips screwdriver

Clip remover

Scissors

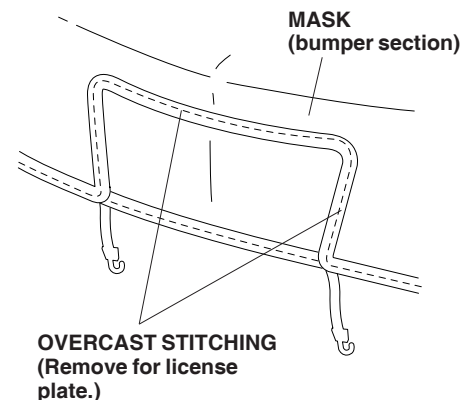
Utility knife

INSTALLATION

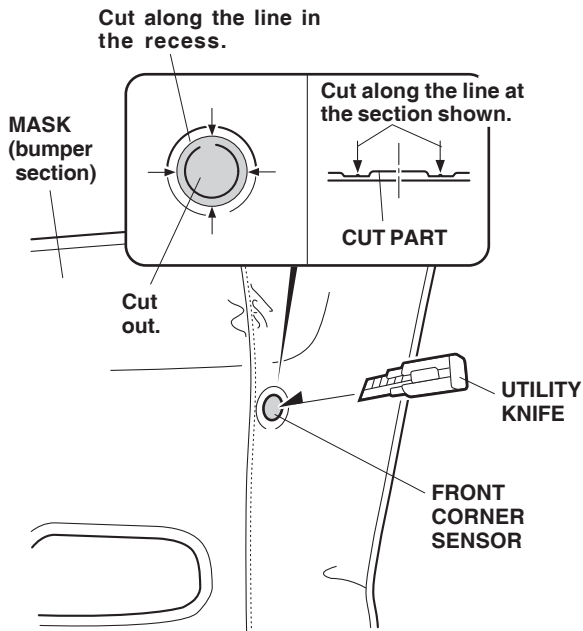
NOTE:

- Make sure the vehicle and the nose mask are clean and completely dry before installation. If moisture under the mask is allowed to dry, it may cloud the paint. If the mask gets wet, remove it and allow it to air-dry completely.
- Make sure any repainted surfaces are cured.
- Make sure the hood and nose of the vehicle have been waxed with a high-quality paste wax.
- Make sure you install the nose mask securely. If the nose mask starts to flap or comes loose while driving, safely pull off the highway, stop the vehicle, and secure or remove the mask.
- The nose mask cannot be installed if the vehicle is equipped with fenderwell trim.

1. If your state law requires the display of both license plates, cut out the piece of the bumper section that covers the front license plate:
 - Face the inside of the mask toward you.
 - Carefully cut out the license plate section with scissors at the top seam, and remove the overcast stitching.

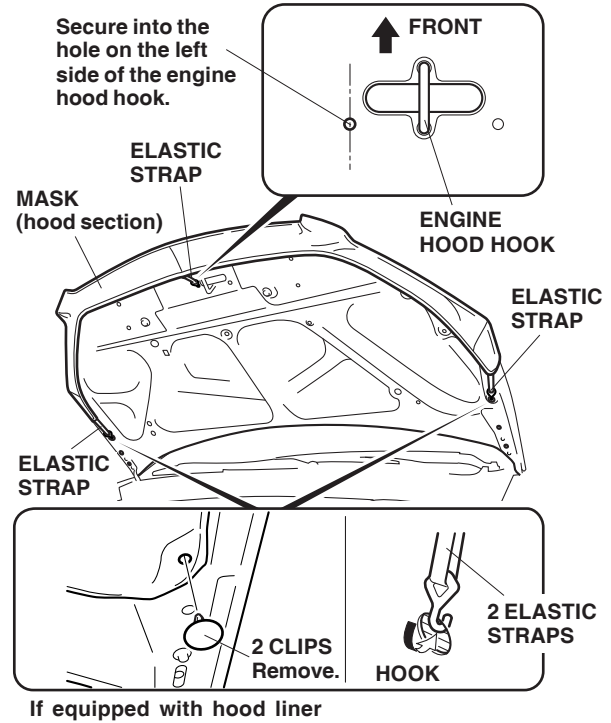


2. If the vehicle is equipped with front corner sensors, cut out the front corner sensor sections on the right and left sides of the nose mask bumper section using a utility knife.



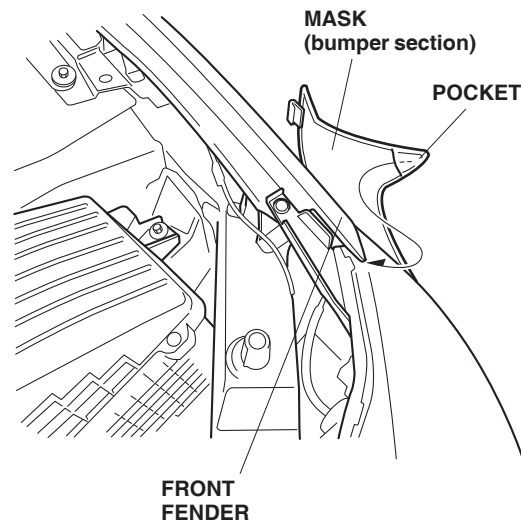
Installing the Hood Section

3. Open the hood. Fit the corners of the hood section around the hood, and adjust the nose mask so it fits smoothly over the edges. Secure three elastic straps into the holes in the hood. If the vehicle hood is equipped with a liner, first remove the two clips at the lower corners of the liner, then secure the hooks to the holes.

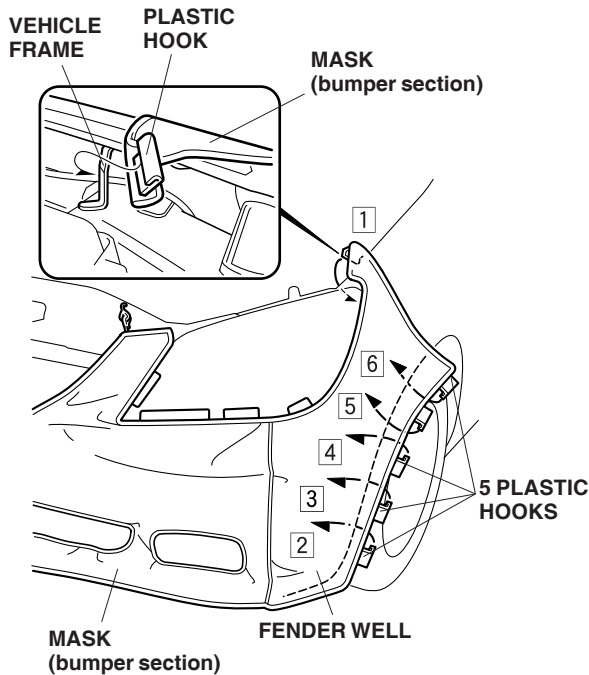


Installing the Bumper Section

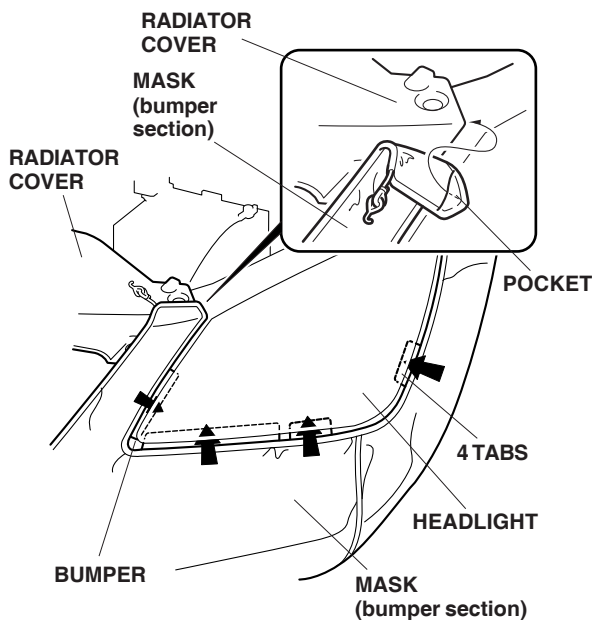
4. Slip the pocket of the bumper section onto the front corner of the fender.



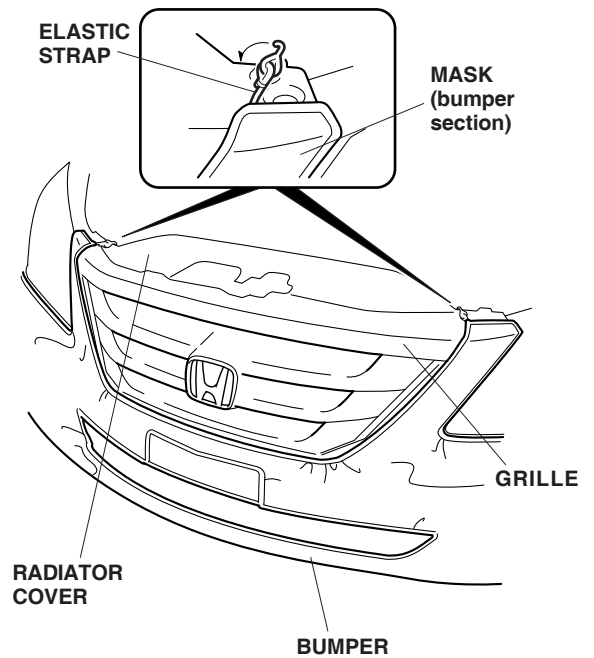
- Attach the plastic hook from the bumper section to the vehicle frame. Fit the mask across the bumper, and attach the mask to the other side the same way.



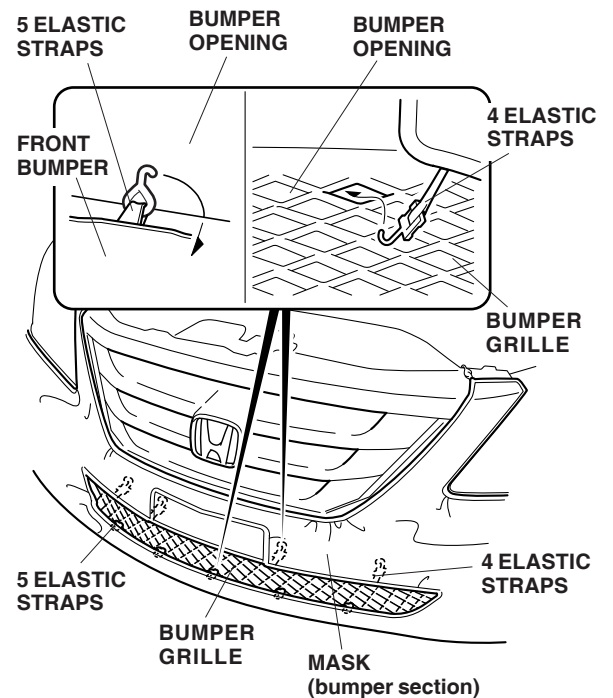
- On both sides of the vehicle, attach five plastic hooks to the fenderwell in the sequence shown.
- Insert the four tabs between the headlight and the bumper. Hook the pocket on the bumper mask to the radiator cover as shown.



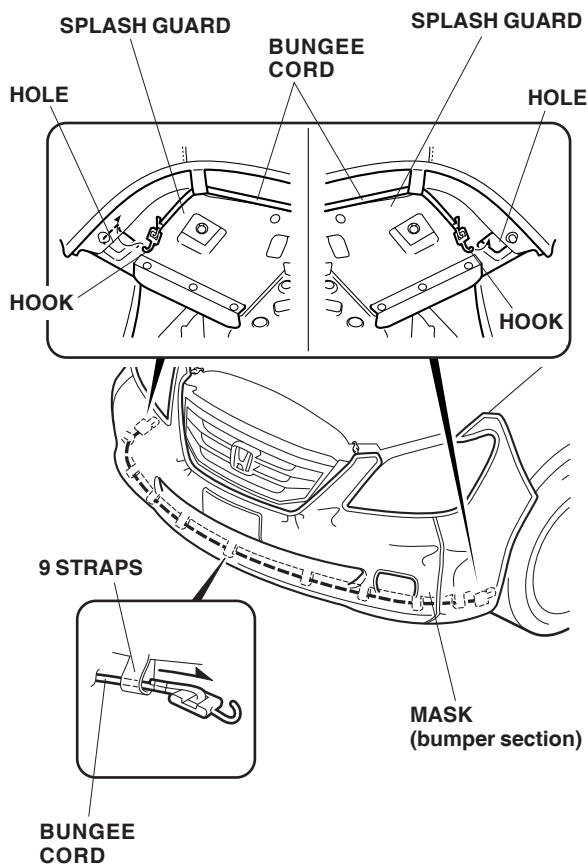
- Secure two elastic straps on the bumper mask to the radiator cover as shown.



- Attach four elastic straps to the inside top edge of the bumper opening, and attach five elastic straps to the bottom inside edge of the bumper opening as shown.



10. Hook one end of the bungee cord in the hole in the splash guard. Pass the hook of the other end of the bungee cord through the nine straps underneath the mask, and hook it in the hole in the other side of the splash guard. Insert the hooks with care so you do not shift the mask to one side.



CLEANING THE NOSE MASK

Use a sponge or cloth and a solution of mild liquid dishwashing soap and water to clean the vinyl and the flannel backing. Rinse the mask completely with clean water and hang it to dry, out of direct sunlight. Make sure the mask is completely dry before you reinstall it.