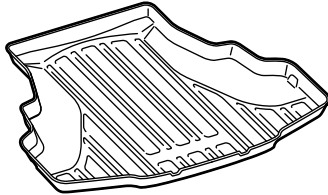


**PART LIST**

Trunk tray

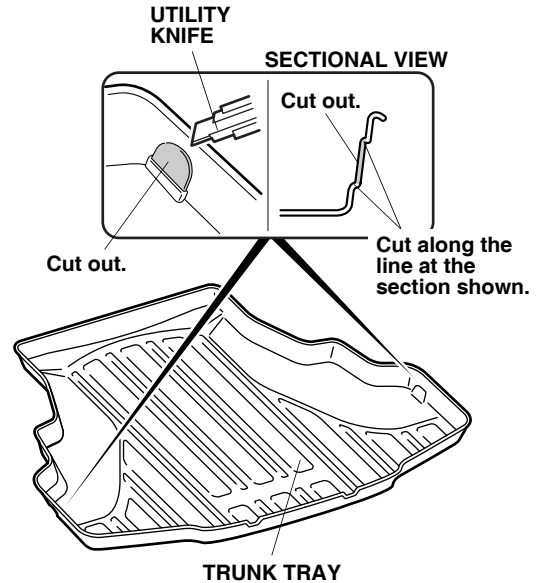
**TOOL REQUIRED**

Utility knife

**INSTALLATION**

If the vehicle is equipped with a cargo net, cut the trunk tray as described in step 1; otherwise, go to step 2.

1. Using a utility knife, cut out the two points on the trunk tray as shown.



2. Open the trunk lid. Place the trunk tray on the trunk floor.

