



# INSTALLATION INSTRUCTIONS

Accessory  
**AUTOMATIC DAY/NIGHT MIRROR (LX)**

Application  
**2011 ACCORD  
 2- AND 4-DOOR**

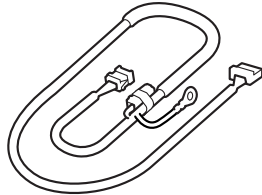
Publications No.  
**All 43994**

Issue Date  
**AUG 2010**

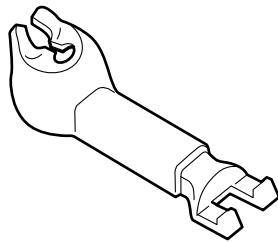
## PARTS LIST

### Automatic Day/Night Mirror Attachment Kit P/N 08V03-TA0-100

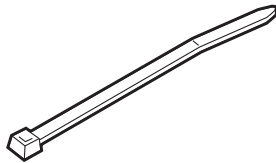
Automatic day/night mirror harness



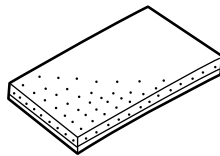
Harness cover



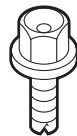
8 Wire ties



5 EPT sealers



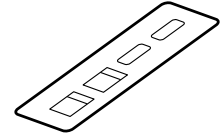
Ground bolt



Clip

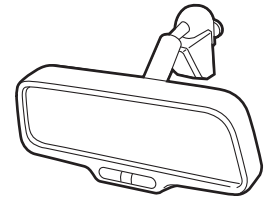


Fuse label



### Automatic Day/Night Mirror Kit P/N 08V03-TA0-100A

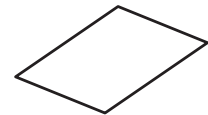
Automatic day/night mirror



Spring



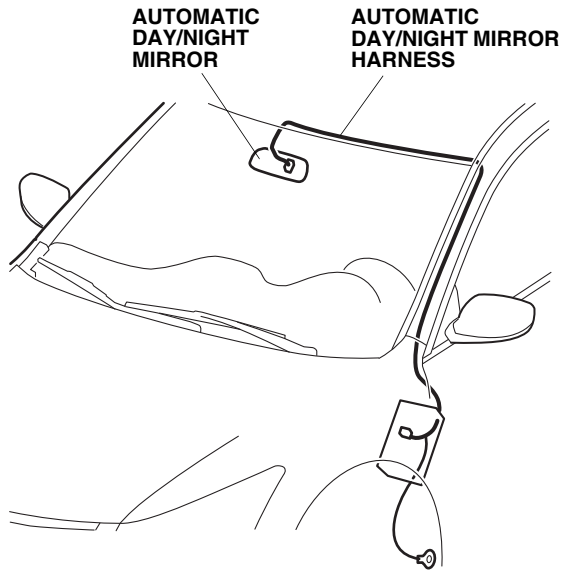
Operating instructions



## TOOLS AND SUPPLIES REQUIRED

- Flat-tip screwdriver
- Phillips screwdriver
- Ratchet
- 10 mm Socket
- Isopropyl alcohol
- Shop towel
- Clip remover
- Small rubber mallet
- Electrical tape
- Steel wire
- Needle nose pliers
- Scissors

### Illustration of the Automatic Day/Night Mirror Installed on the Vehicle



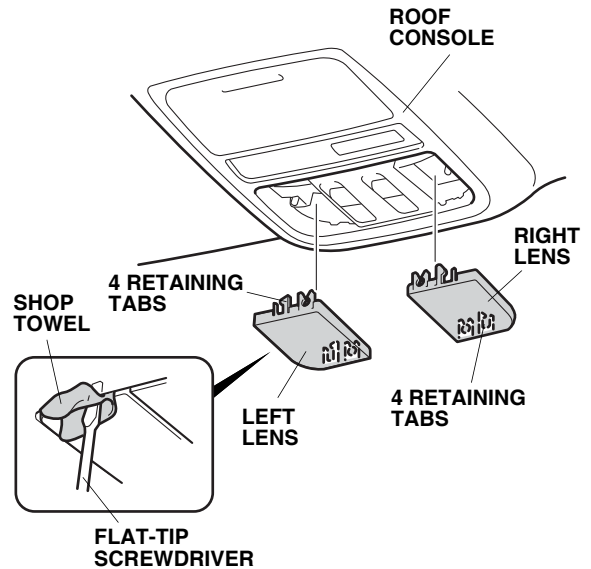
### INSTALLATION

**Customer Information:** The information in this installation instruction is intended for use only by skilled technicians who have the proper tools, equipment, and training to correctly and safely add equipment to your vehicle. These procedures should not be attempted by “do-it-yourselfers.”

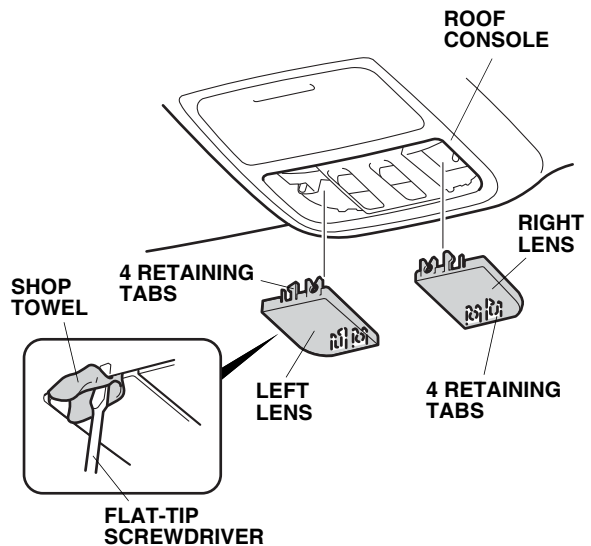
1. Make sure you have the anti-theft code for the radio, then write down the radio station presets.
2. Disconnect the negative cable from the battery.

3. Disengage the eight retaining tabs and remove the left and right lenses from the roof console.

#### Without Moonroof:

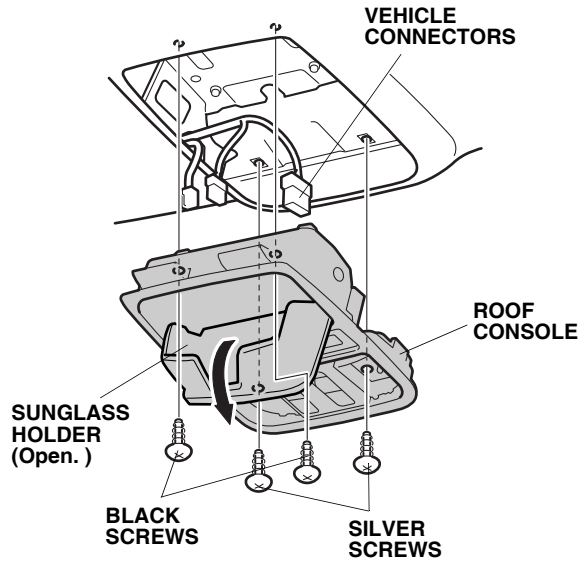


#### With Moonroof:

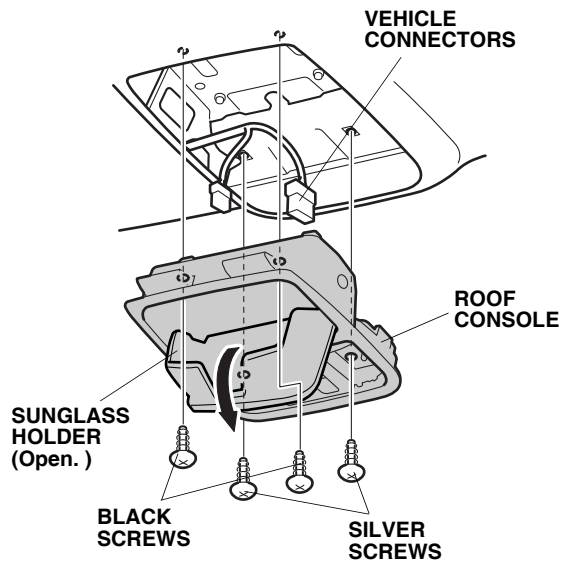


4. Open the sunglasses holder.
5. Remove the four screws (two black and two silver) and let the roof console drop down. Disconnect the vehicle connectors and remove the roof console.

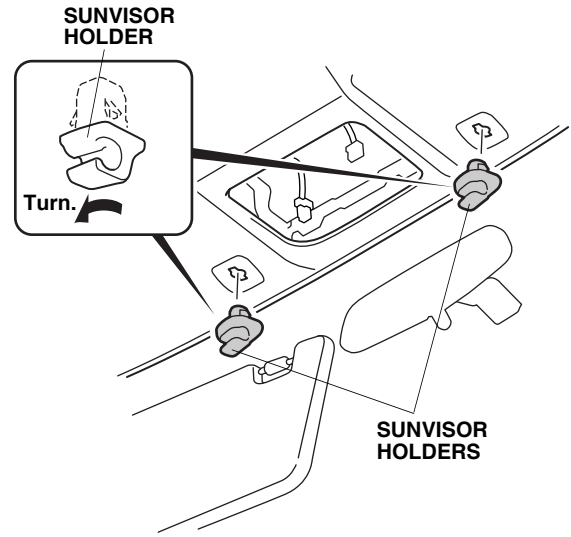
**Without Moonroof:**



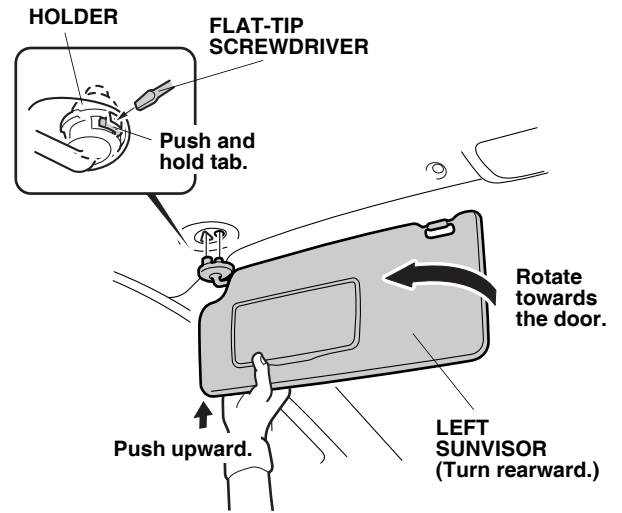
**With Moonroof:**



6. Remove the two sunvisor holders by turning them 45°.



7. Pivot the left sunvisor downward.
8. Locate the slot in the sunvisor holder, and insert a flat-tip screwdriver into the slot. Push in and hold the retaining tab.

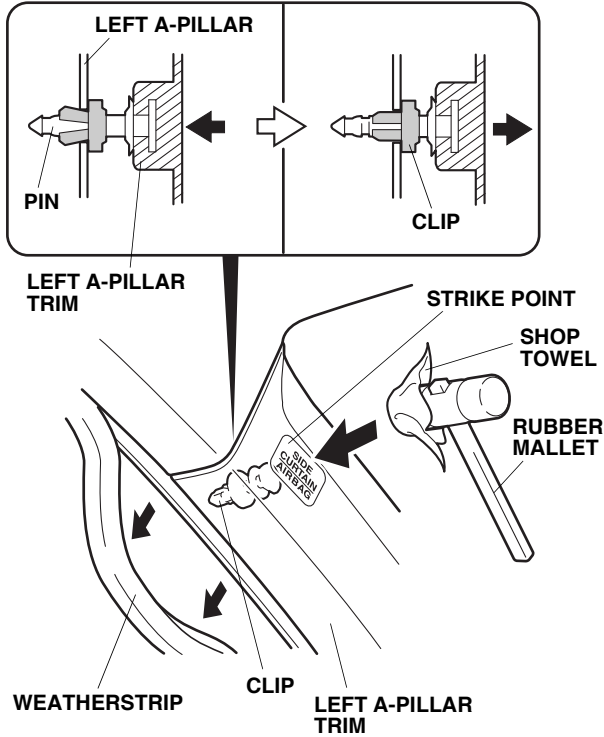


9. While holding the retaining tab, push up on the left sunvisor and rotate it towards the door to remove the sunvisor. Disconnect the vanity mirror light connector.

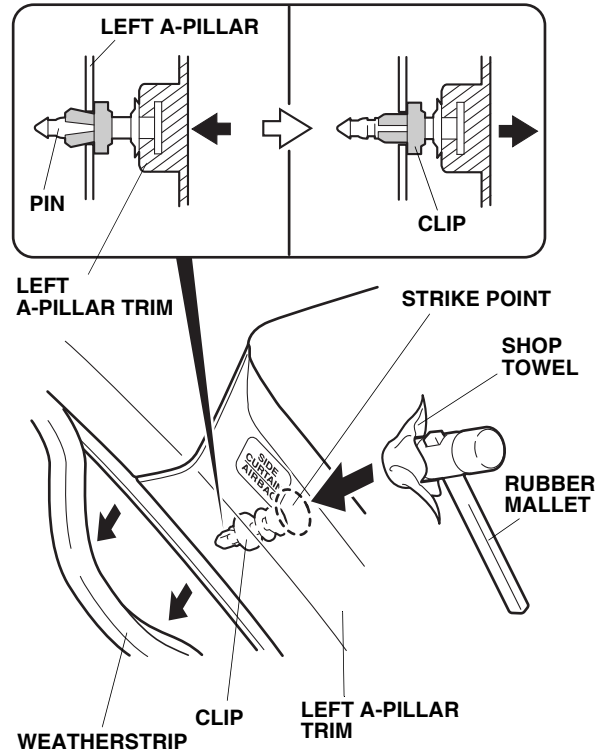
**NOTE:** If the retaining tab did not stay pushed in, return the left sunvisor to its original position and repeat steps 7 through 9.

10. Pull away the weatherstrip from the left A-pillar trim.
11. Using a small rubber mallet and a shop towel, gently tap the left A-pillar trim at the position shown to release the clip.

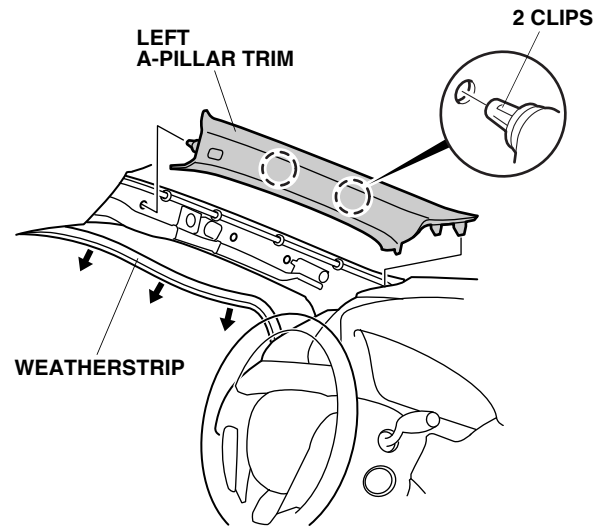
**2- Door:** Gently tap the A-pillar trim at the area marked "SIDE CURTAIN AIRBAG".



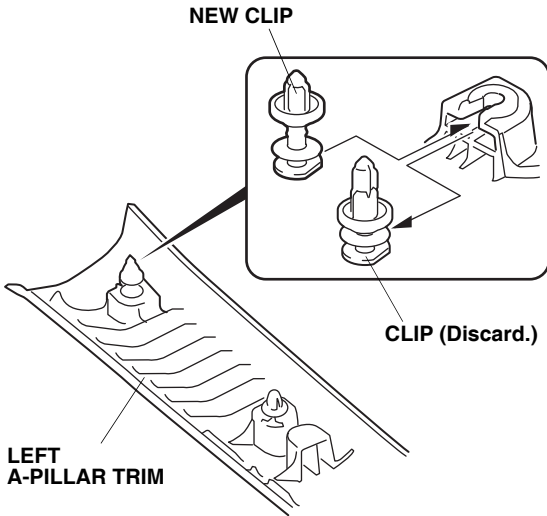
**4- Door:** Gently tap the A-pillar trim just below the "SIDE CURTAIN AIRBAG" mark.



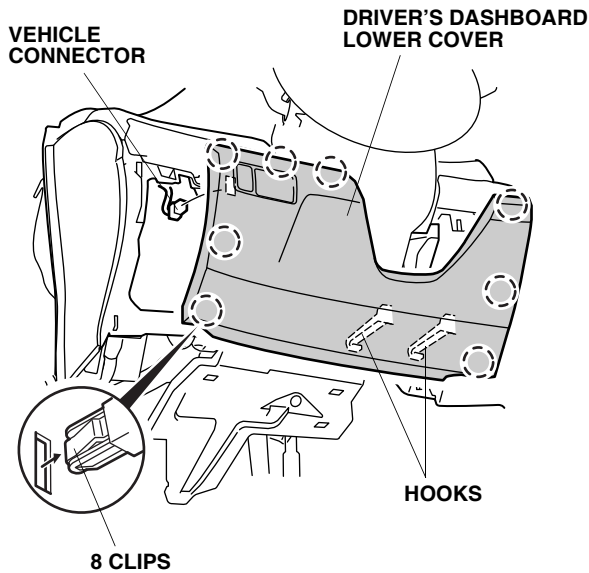
12. Remove the left A-pillar trim (two clips).



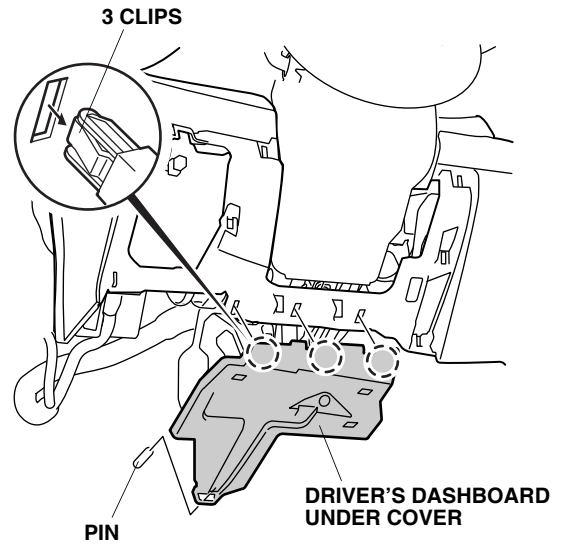
13. Remove and discard the clip from the left A-pillar trim, and install a new clip (supplied) to the trim.



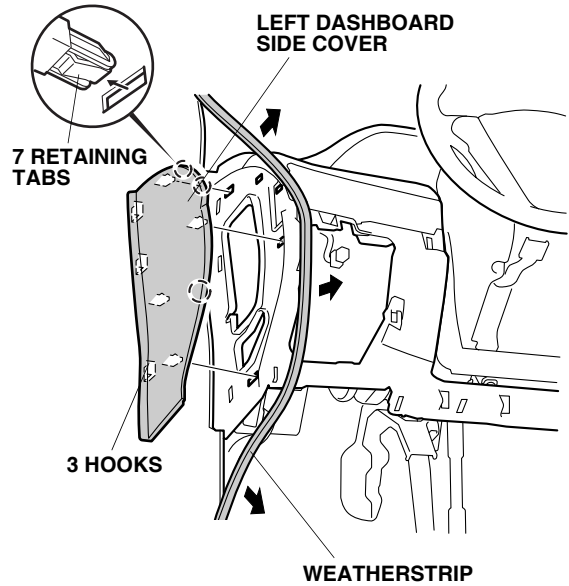
14. Remove the driver's dashboard lower cover (eight clips, two hooks, and disconnect the vehicle connector).



15. V6 only: Remove the driver's dashboard under cover (three clips and one pin).

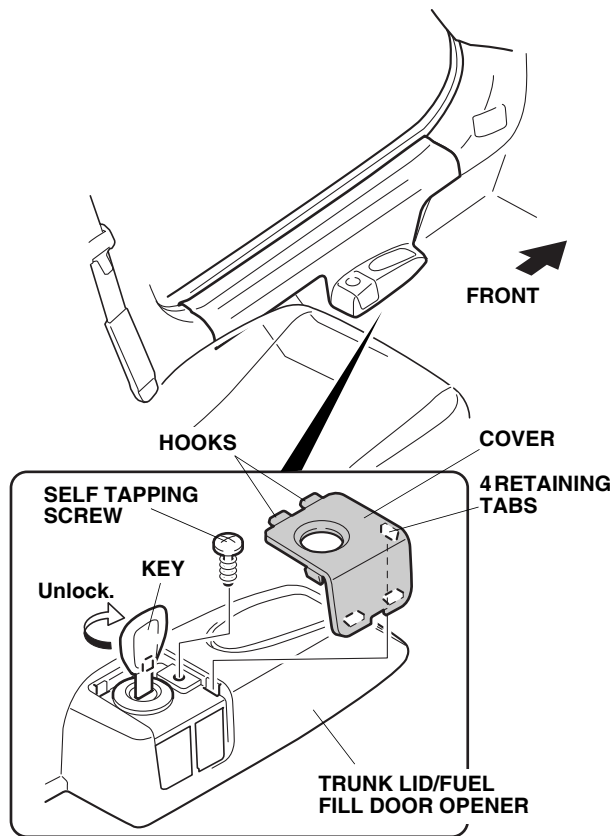


16. Pull away the weatherstrip, then remove the left dashboard side cover (seven retaining tabs and three hooks).

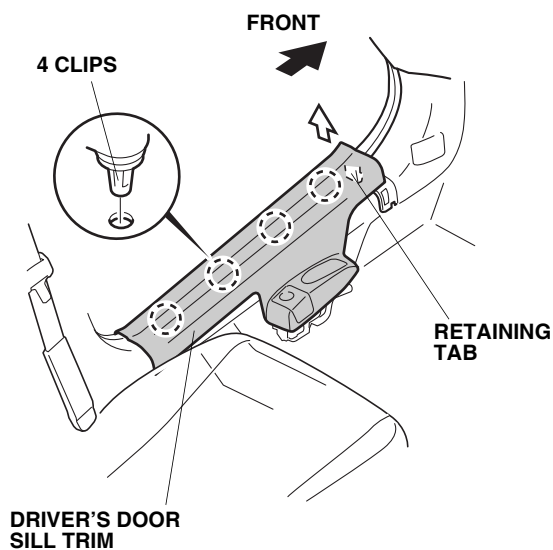


- Remove the cover from the trunk lid/fuel fill door opener (two hooks and four retaining tabs), and then remove the self-tapping screw.

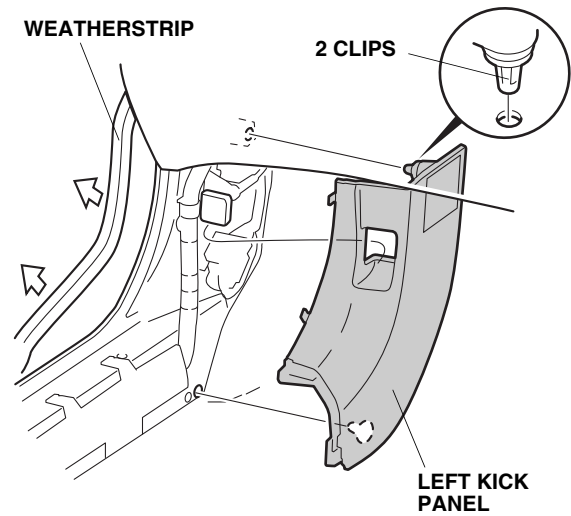
**NOTE:** Make sure the trunk lid/fuel fill door opener is unlocked.



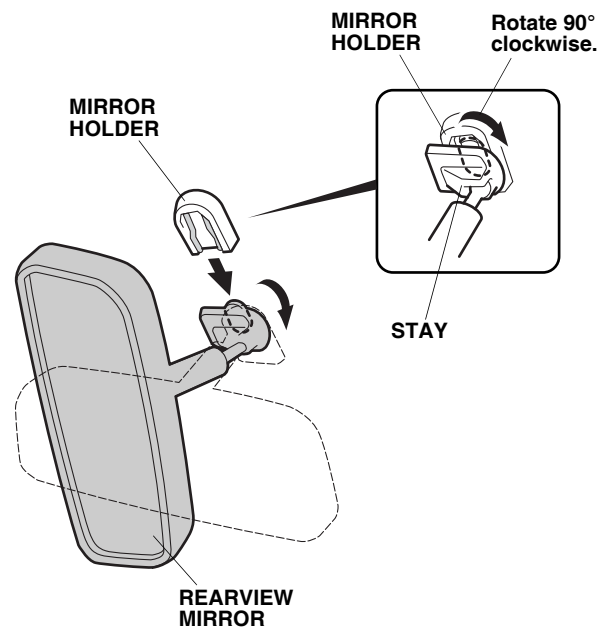
- Pull up on the front of the driver's door sill trim (four clips and one retaining tab) to remove the trim.



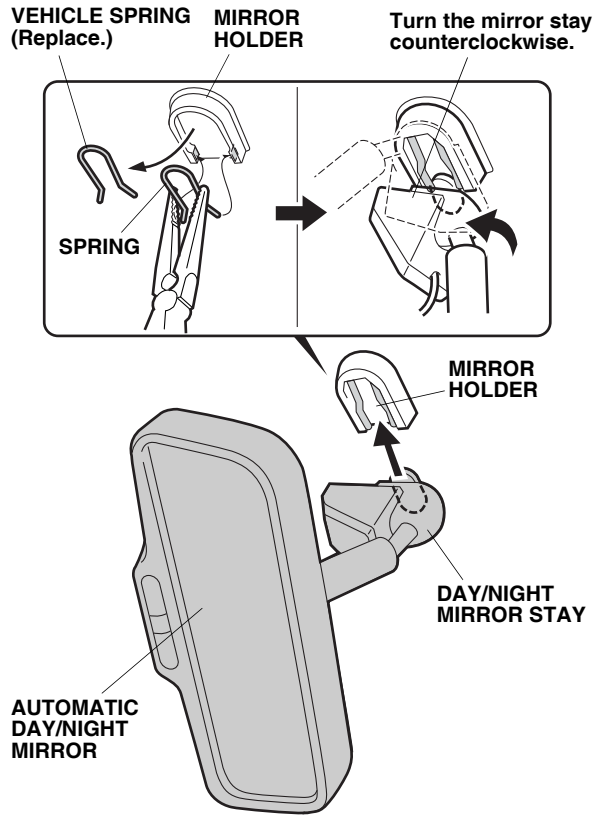
- Pull away the weatherstrip, and remove the left kick panel (two clips).



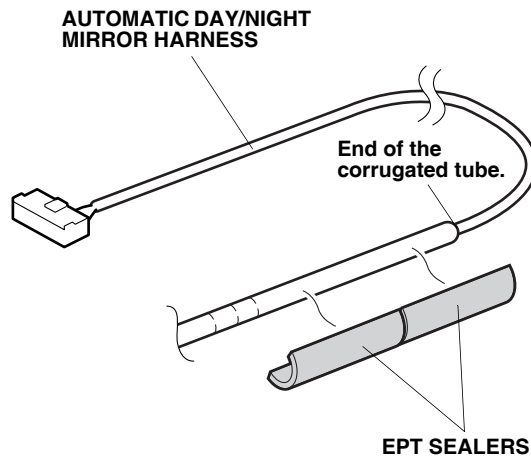
- Remove the rearview mirror from the holder by rotating the stay 90° clockwise.



21. Replace the spring. Slide the automatic day/night mirror stay onto the mirror holder, then turn the mirror stay counterclockwise as shown.

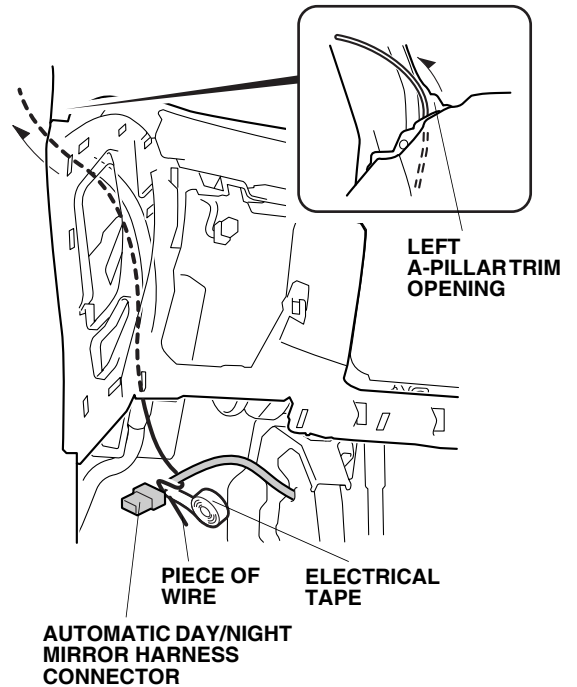


22. Wrap two EPT sealers around the corrugated tube on the automatic day/night mirror harness as shown.

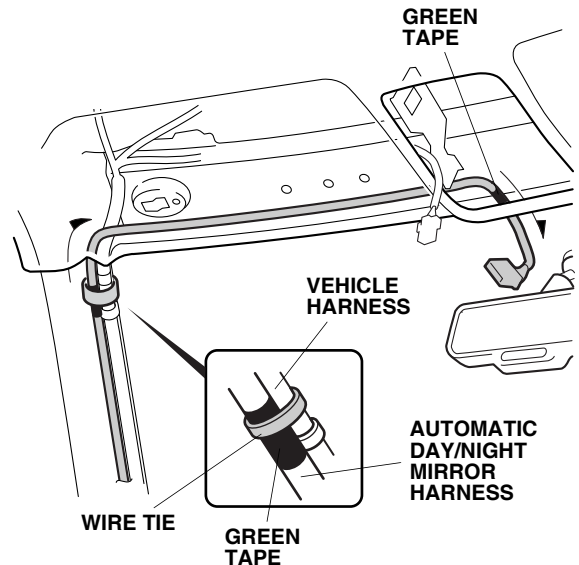


772122AB

23. Attach a piece of wire to the automatic day/night mirror harness connector, then wrap electrical tape around the wire and the automatic day/night mirror harness. Route the harness to the left A-pillar trim opening.

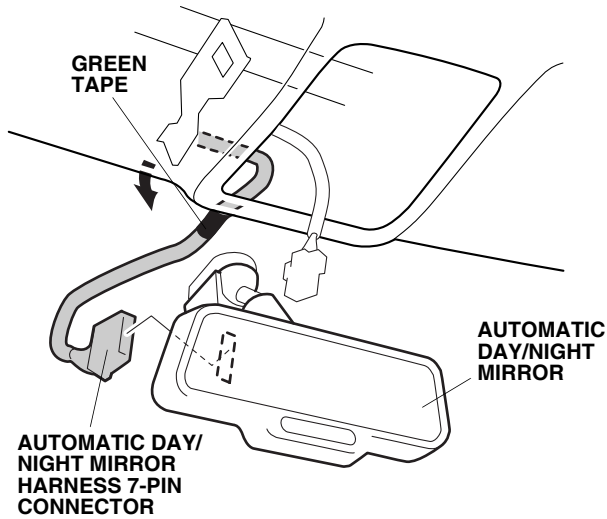


24. Remove the electrical tape and wire from the automatic day/night mirror harness.

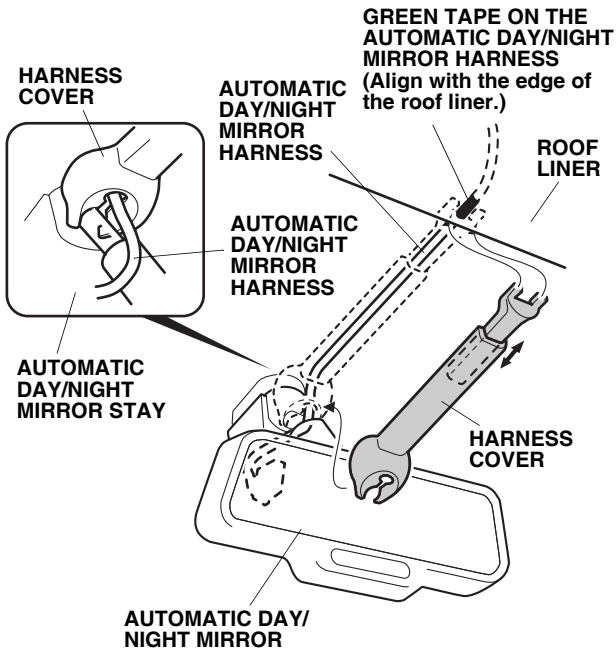


25. Route the automatic day/night mirror harness as shown. Secure the automatic day/night mirror harness to the vehicle harness at the green tape with one wire tie.

26. Plug the automatic day/night mirror harness 7-pin connector into the rear of the mirror.

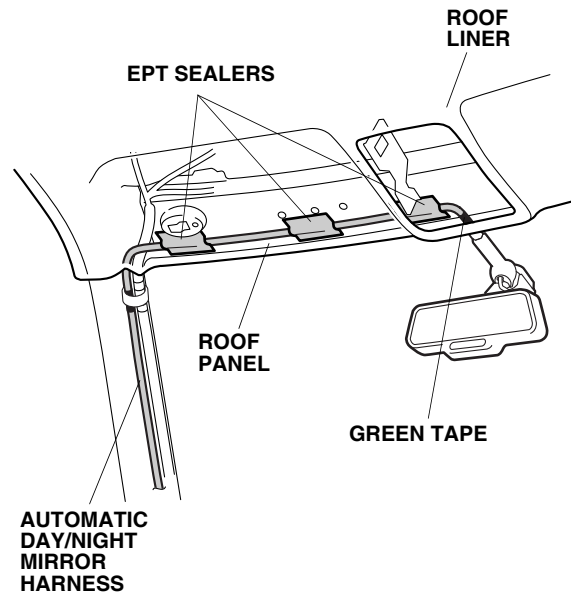


27. Align the green tape on the automatic day/night mirror harness with the edge of the roof liner. Route the automatic day/night mirror harness through the grooves in the harness cover. Attach the harness cover to the mirror stay.

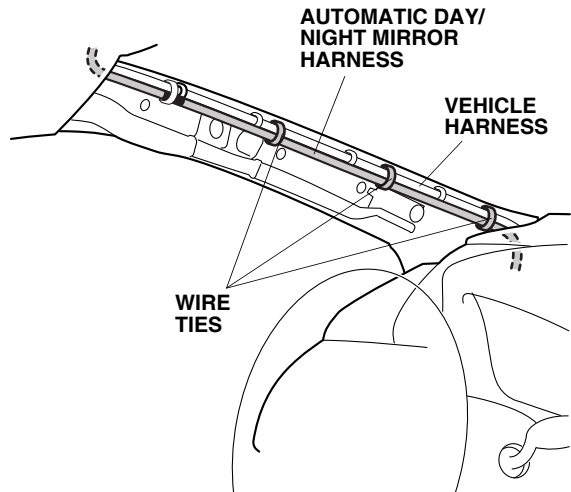


28. Slide the harness cover under the roof liner.

29. Using isopropyl alcohol on a shop towel, clean the areas where the EPT sealers will attach. Under the roof liner, secure the automatic day/night mirror harness to the roof panel with three EPT sealers in the areas shown.

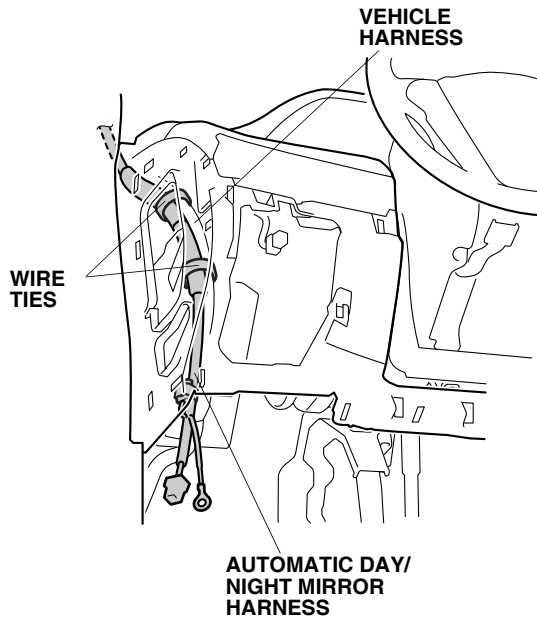


30. Secure the automatic day/night mirror harness to the vehicle harness using three additional wire ties.

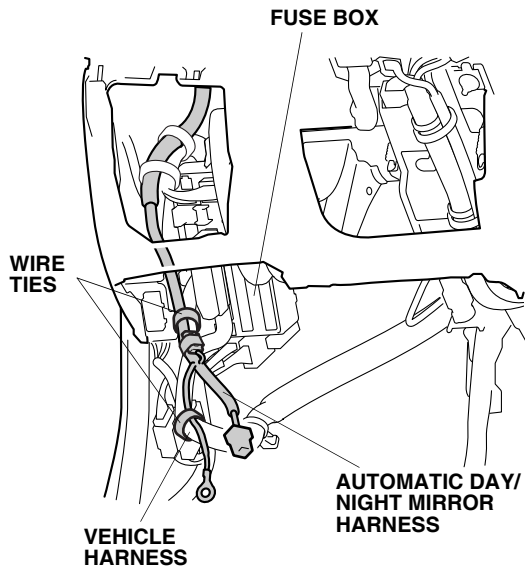




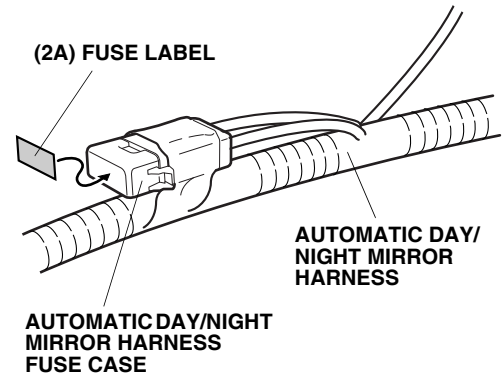
31. Secure the automatic day/night mirror harness to the vehicle harness using two wire ties in the areas shown.



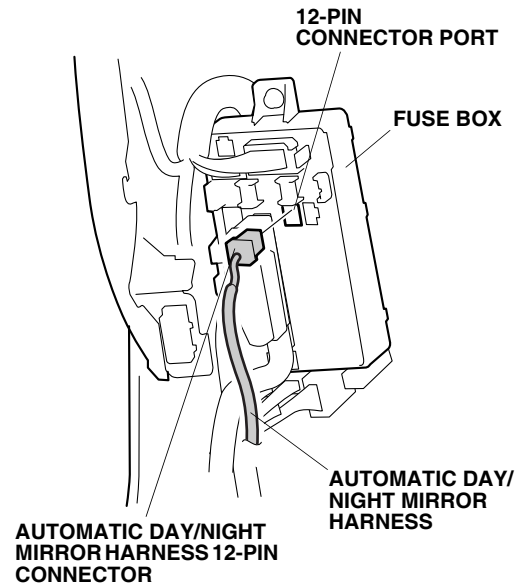
32. Secure the automatic day/night mirror harness to the vehicle harness using two wire ties in the areas shown.



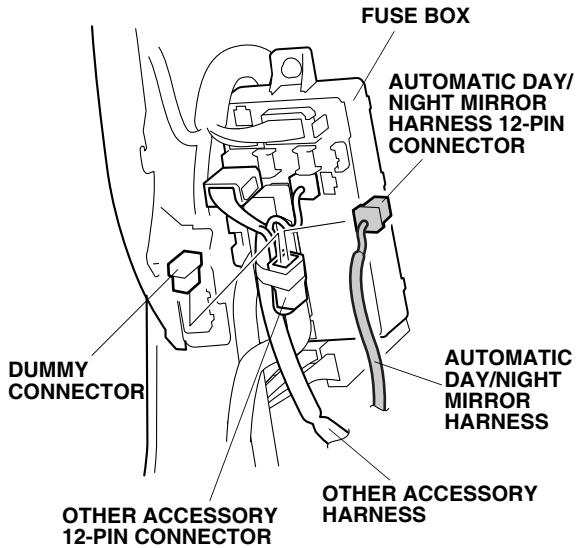
33. Attach the (2A) fuse label to the fuse case on the automatic day/night mirror harness.



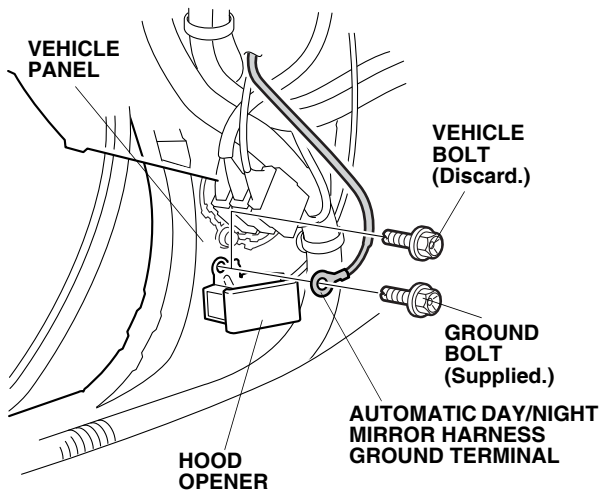
34. Plug the automatic day/night mirror harness 12-pin connector into the fuse box 12-pin connector port.



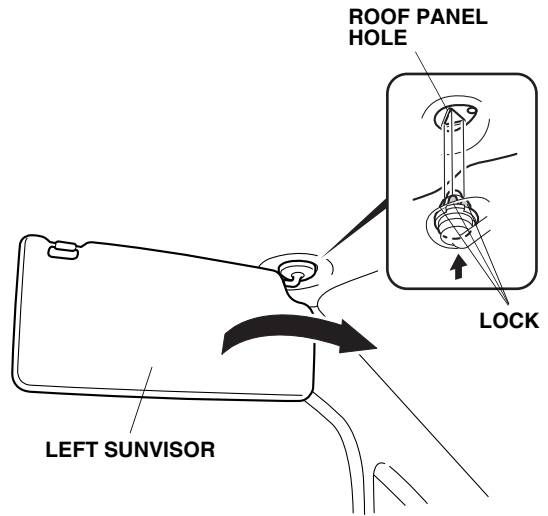
- If another accessory connector is plugged into the 12-pin connector, remove the dummy connector from the other 12-pin connector harness and connect the automatic day/night mirror harness 12-pin connector into the other accessory harness.



35. Remove the upper vehicle bolt from the hood opener, and install the ground terminal from the automatic day/night mirror harness with the ground bolt supplied.



36. Reconnect the vanity mirror light connector, and tuck the connector inside the visor hole. Insert the holder into the roof panel hole. Push up on the visor and rotate it forward to lock it in place.



37. Check that all wire harnesses are routed properly and all connectors are plugged in.
  38. Reinstall all removed parts.
  39. Reconnect the negative cable to the battery.
  40. Enter the customer's audio system and navigation system (if equipped) anti-theft codes.
  41. Reset the clock (for vehicles without navigation).
- NOTE: Check the operation of the automatic day/night mirror according to the operating instructions supplied.
- Adjust the zone and calibrate the compass as described in the operating instructions.
  - Place the operating instructions in the glove box.