



INSTALLATION INSTRUCTIONS

Accessory
FRONT UNDER SPOILERS

Application
2012 CIVIC
2-DOOR

Publications No.
All 45633
Issue Date
APR 2011

PARTS LIST

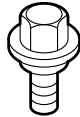
Left front under spoiler



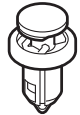
Right front under spoiler



2 Bolts



2 Bumper clips



6 Female clips



TOOLS AND SUPPLIES REQUIRED

Phillips screwdriver
Flat-tip screwdriver
5 mm Hex wrench
Pushpin
Drill
3 mm and 10 mm Drill bits
Deburring tool (T/N DEBUR300)
Masking tape
Diagonal cutters
Eye protection (face shield, safety goggles, etc.)
Isopropyl alcohol
Shop towel
Blanket
Ruler
Rubber Roller (T/N MHLE540)
Tape
Ratchet
10 mm Socket

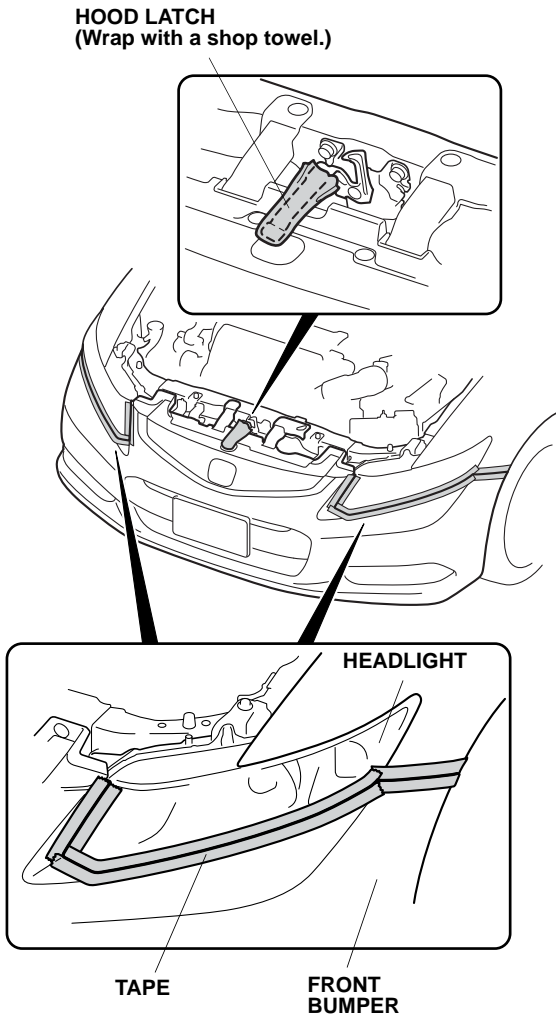
INSTALLATION

Customer Information: The information in this installation instruction is intended for use only by skilled technicians who have the proper tools, equipment, and training to correctly and safely add equipment to your vehicle. These procedures should not be attempted by "do-it-yourselfers."

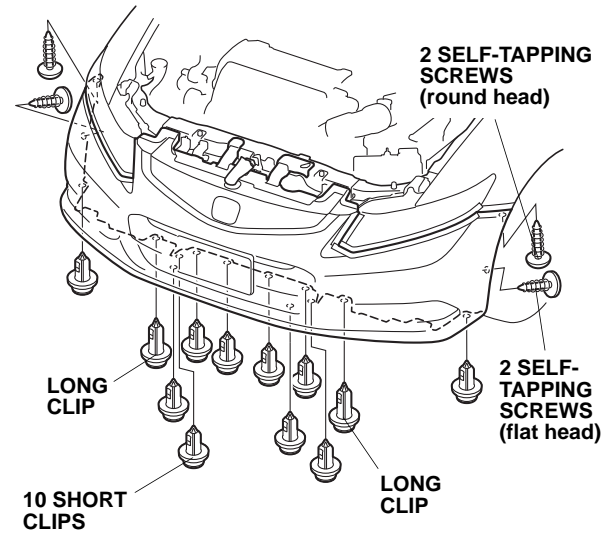
NOTE:

- Be careful not to damage the paint finish.
- This front under spoilers kit should be installed only if the ambient air temperature is 15°C (60°F) or above.
- To allow the adhesive to cure, do not wash the vehicle for 24 hours. Please advise the customer.

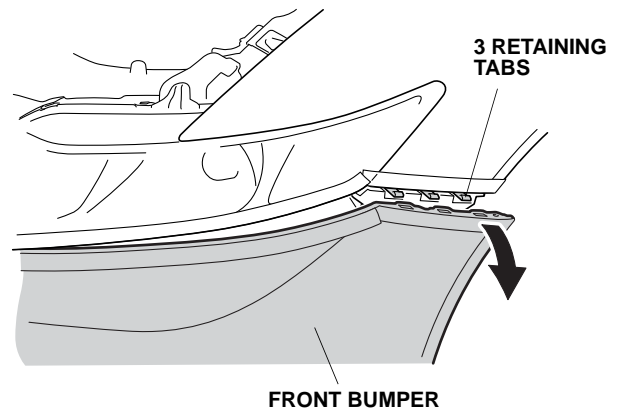
1. Remove the front bumper:
 - On each side, attach tape to the areas shown.
 - Wrap a shop towel around the hood latch.



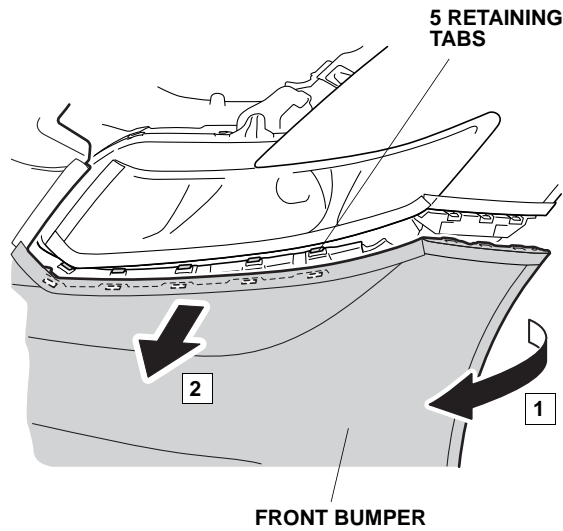
- Remove the 4 self-tapping screws, 10 short clips, and 2 long clips.



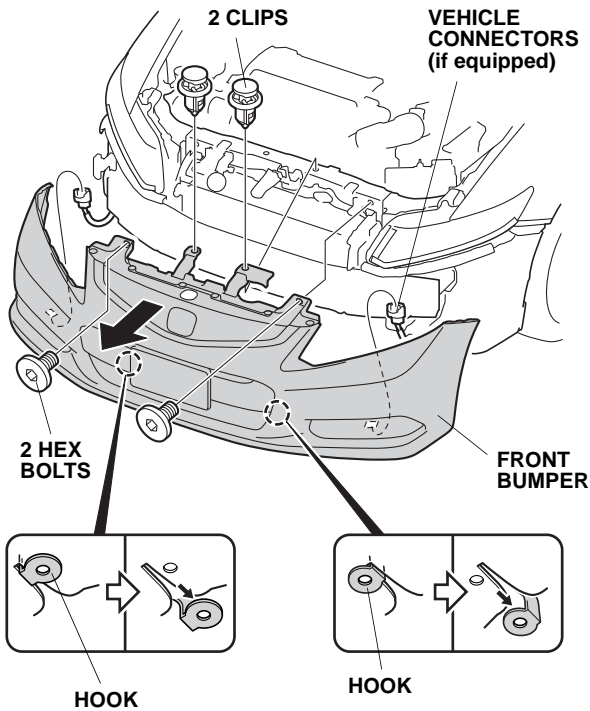
- Release three retaining tabs on each side.



- Release five retaining tabs on each side.

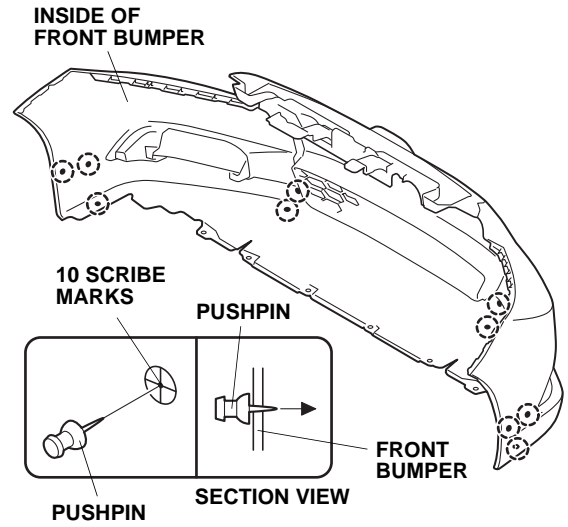


- With the help of an assistant, remove the front bumper (two hex bolts, two clips, and unplug the vehicle connectors). Place the front bumper on a blanket to prevent damage.

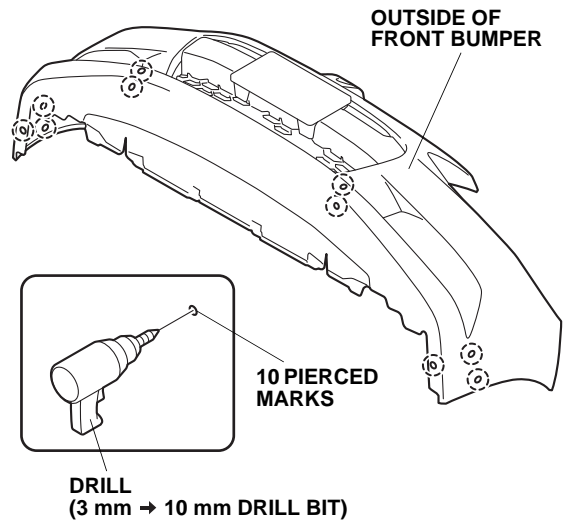


Installing the Front Under Spoilers

2. Using a pushpin, pierce the centers of the 10 scribe marks on the front bumper.

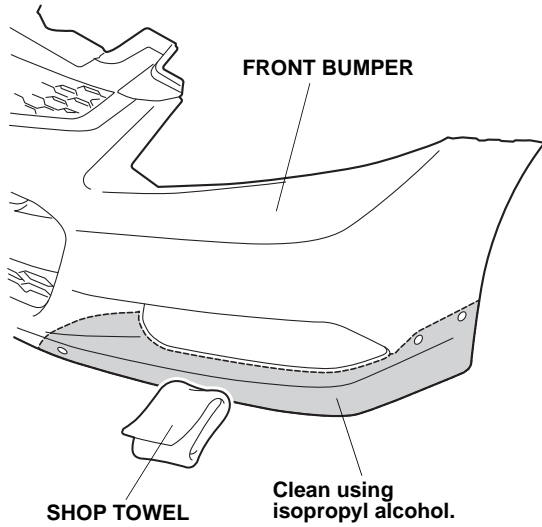


3. While wearing eye protection, drill the 10 pierced marks with a 3 mm drill bit, then enlarge the holes with a 10 mm drill bit.

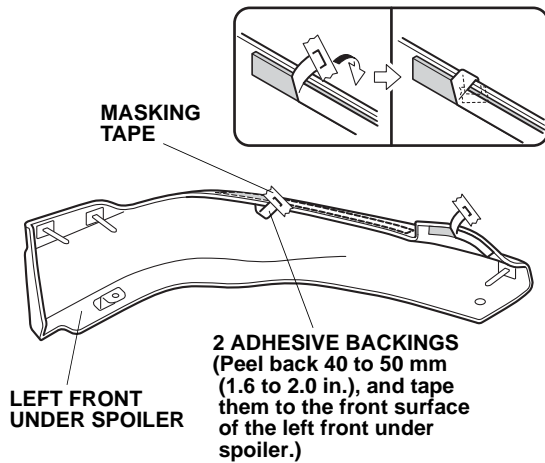


4. Using a deburring tool, remove any burrs from the holes.

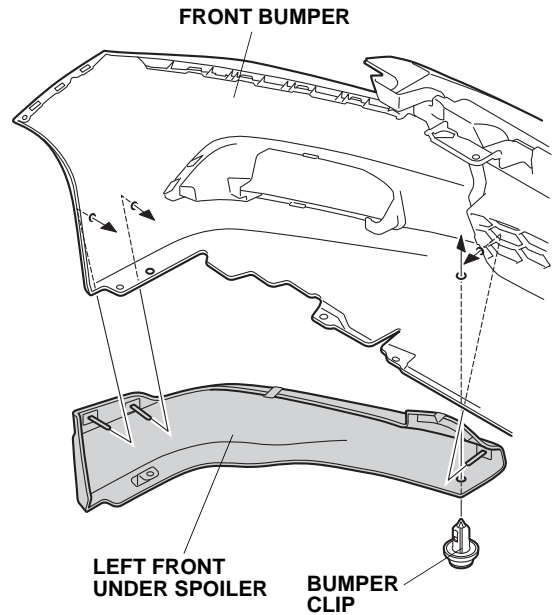
- Using isopropyl alcohol on a shop towel, thoroughly clean the area where the left front under spoiler will attach.



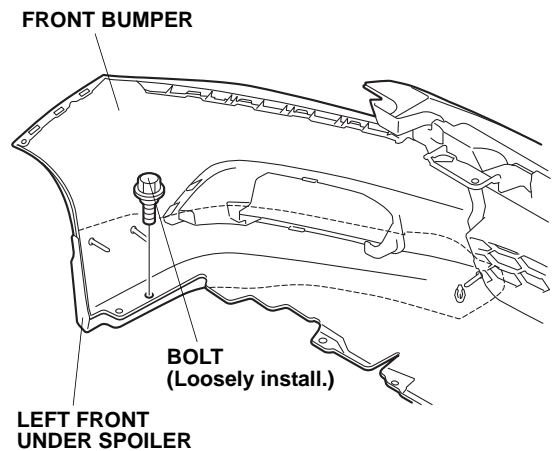
- Peel back about 40 to 50 mm (1.6 to 2.0 in.) of adhesive backing from each adhesive strip, and tape the ends to the front surface of the left front under spoiler.



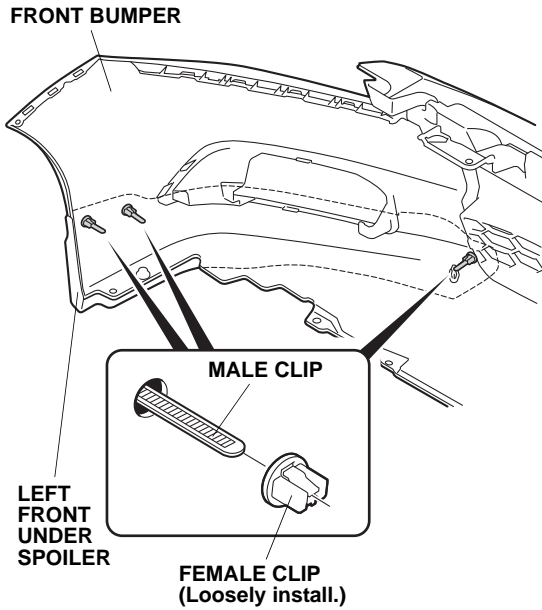
- Install the left front under spoiler with one bumper clip.



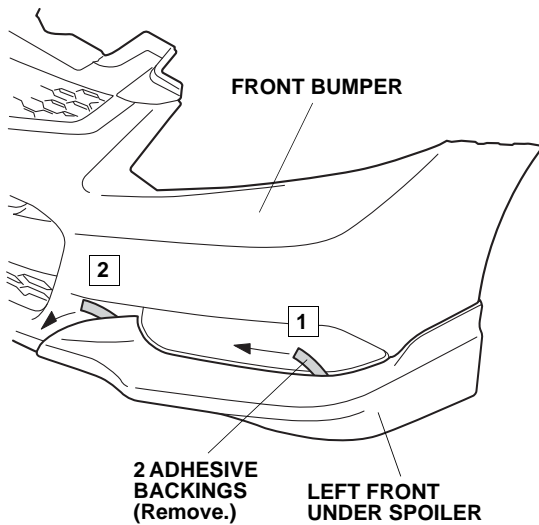
- Loosely install one bolt.



- Loosely install a female clip on each male clip.

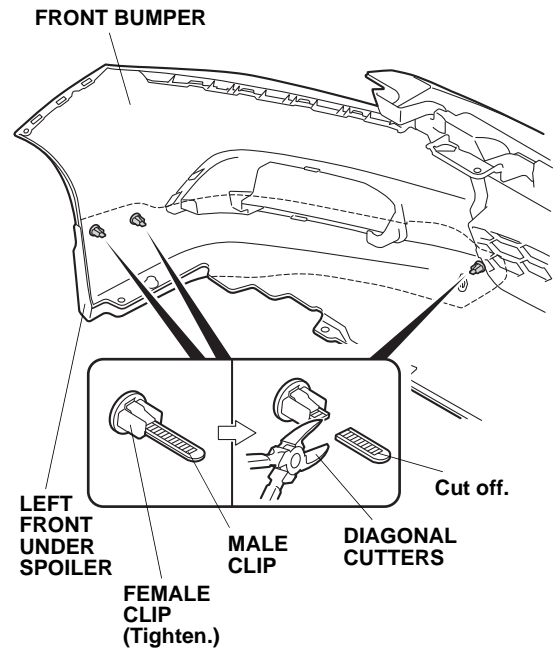


- Remove the two adhesive backings in the order shown. Press the left front under spoiler firmly against the front bumper with the palms of your hands to set the adhesive.

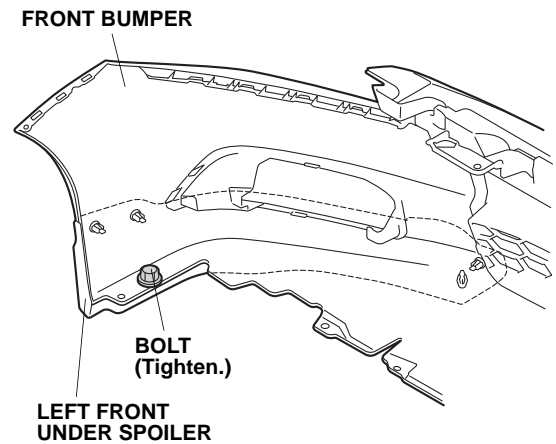


- Tighten the three female clips loosely installed in step 9.

NOTE: Do not install the female clips too tightly, as that may deform the left front under spoiler. Readjust the female clips, if necessary.



- Using diagonal cutters, cut the excess off of each male clip.
- Tighten the bolt loosely installed in step 8. Torque the bolt to 10 N·m (1.0 kgf·m, 7.4 lbf·ft).



14. Repeat steps 5 through 13 to install the right front under spoiler.
15. With the help of an assistant, reinstall the front bumper.
16. Using a rubber roller, apply firm pressure, especially at the ends, to set the adhesive.

