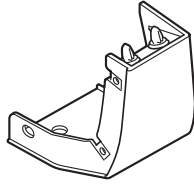


PARTS LIST

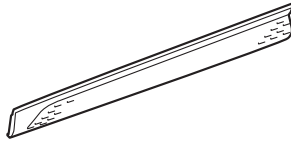
Left front fender lower trim



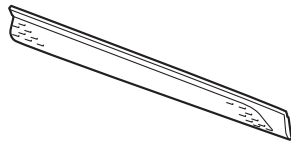
Right front fender lower trim



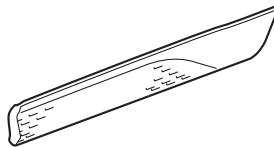
Left front side under spoiler



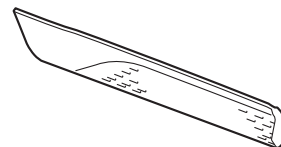
Right front side under spoiler



Left rear side under spoiler



Right rear side under spoiler

**TOOLS AND SUPPLIES REQUIRED**

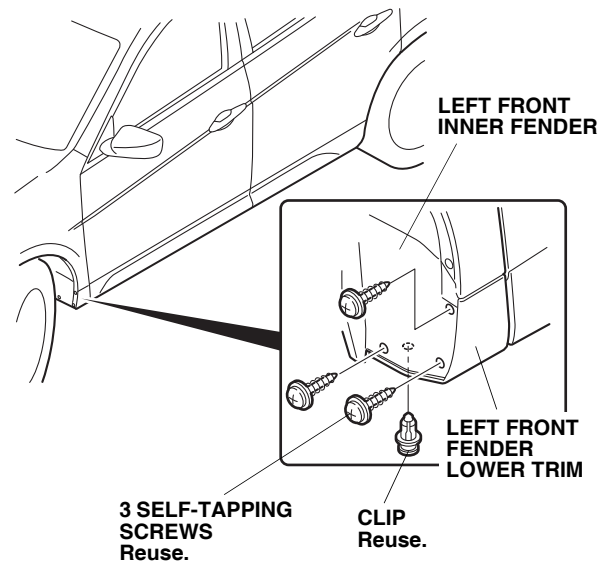
Stubby Phillips screwdriver
 Flat-tip screwdriver
 Isopropyl alcohol
 Shop towel
 Rubber Roller Tool (T/N EQSE54D)

INSTALLATION**NOTE:**

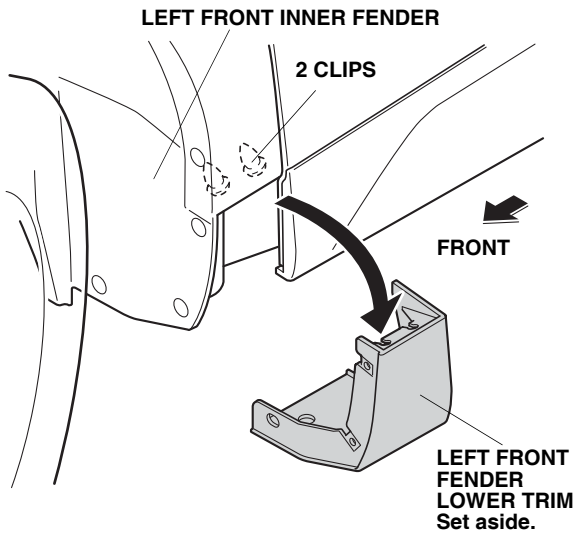
- These installation instructions show the left side under spoiler being installed. The same procedure applies to the right side under spoiler.
- Be careful not to damage the paint finish.
- This side under spoiler kit should be installed only if the ambient air temperature is 15°C (60°F) or above.
- To allow the adhesive to cure, do not wash the vehicle for 24 hours. Please advise the customer.

Removing the Vehicle Parts

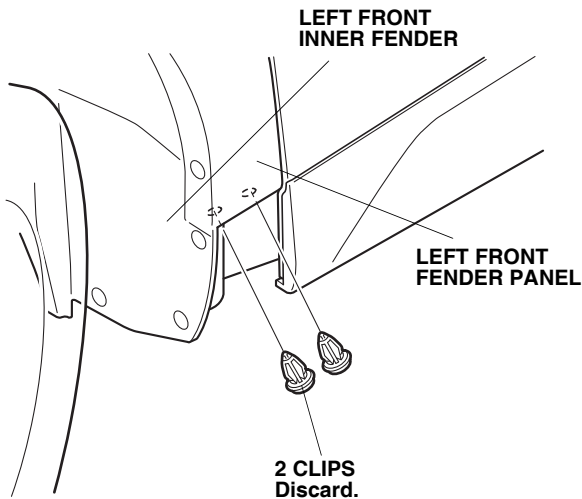
1. Turn the steering wheel fully counterclockwise.
2. Remove the three self-tapping screws and one clip from the left front fender lower trim.



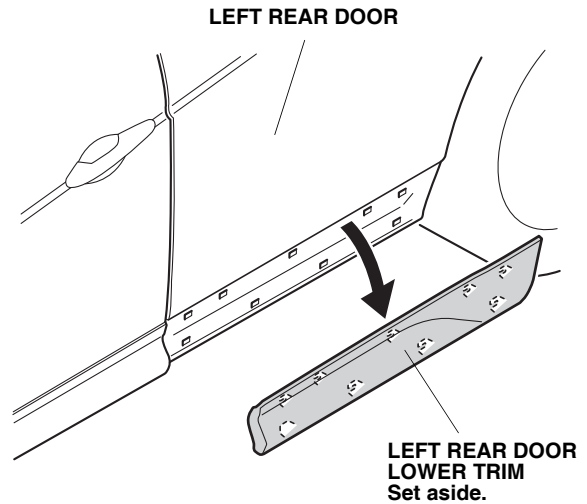
3. Pull the left front fender lower trim toward you, and remove it. The two clips will stay in the body. Set the left front lower trim aside, it will not be reused.



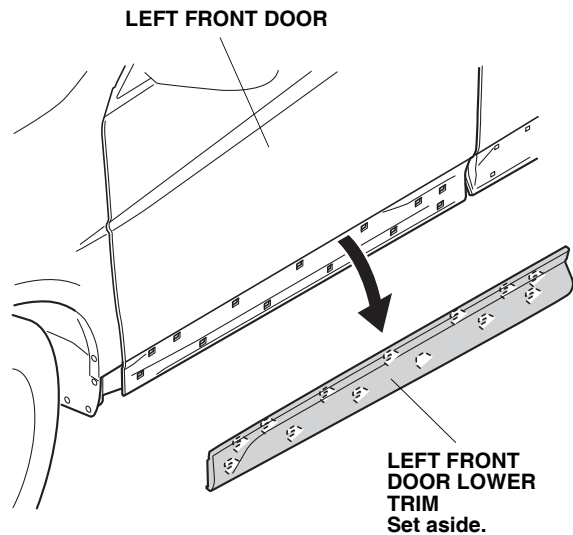
4. Remove and discard the two clips that fastened the lower left front fender panel.



5. Pull the left rear door lower trim out toward you, and remove it. Set the trim aside, it will not be reused.

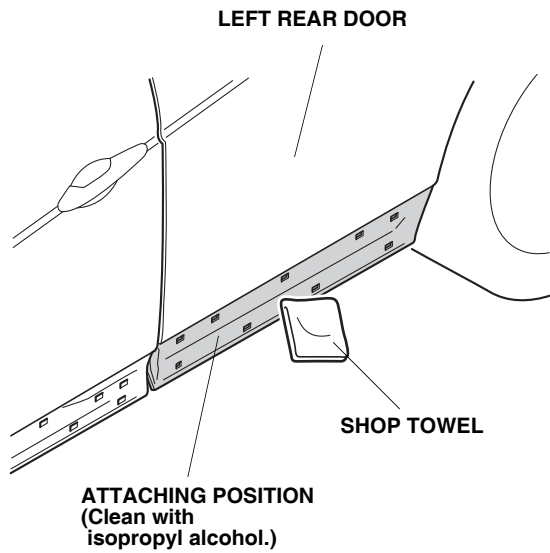


6. Pull the left front door lower trim out toward you, and remove it. Set the trim aside, it will not be reused.

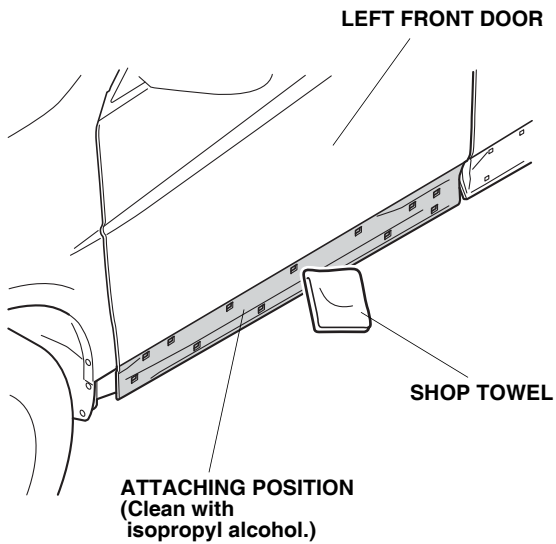


7. Turn the steering wheel all the way clockwise, and repeat steps 2 thru 6 to remove the vehicle parts on the right side of the vehicle.

- Using isopropyl alcohol on a shop towel, clean the areas where the new side under spoilers will attach.
Left Rear Door Lower Trim

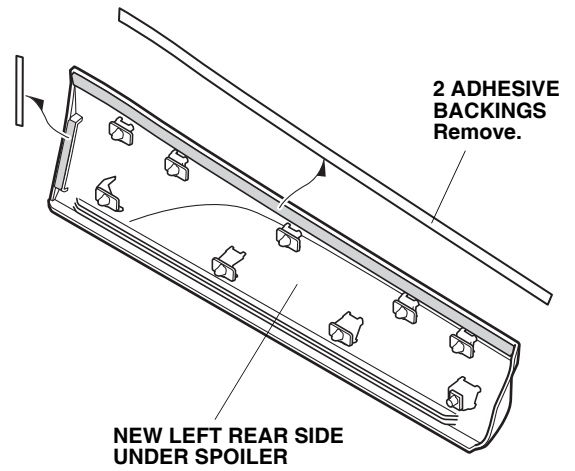


Left Front Door Lower Trim

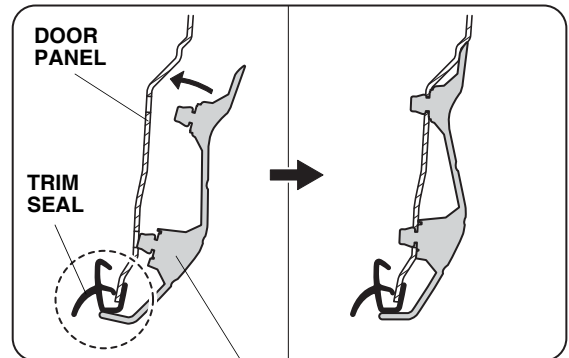
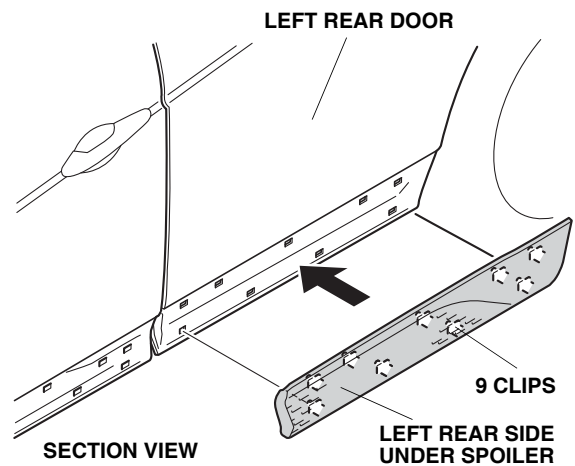


Installing the Left Rear Side Under Spoiler

- Remove the two adhesive backings from the left rear side under spoiler.

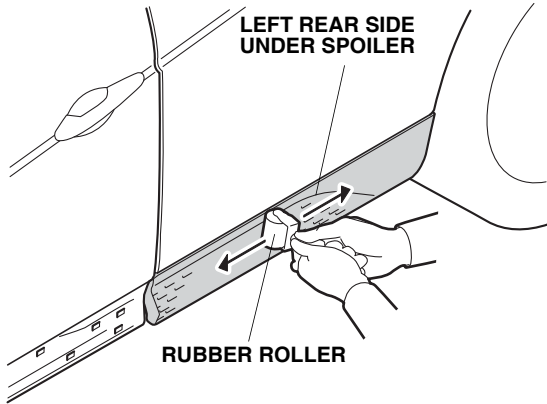


- Hold the new left rear side under spoiler against the door, and install the trim seal to the door panel. Fit the nine clips into the holes in the body, then push on the side under spoiler until the clips snap into place.



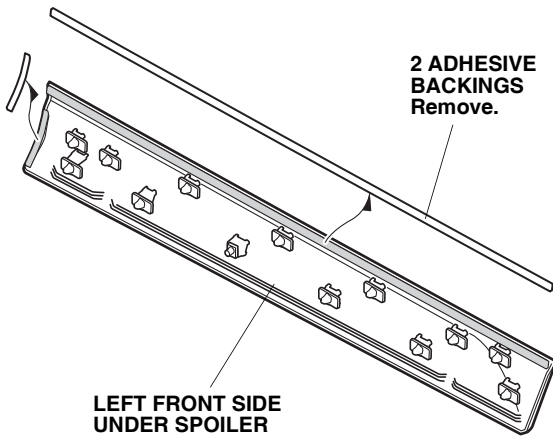
LEFT REAR SIDE UNDER SPOILER

- Using the rubber roller, apply firm pressure while rolling to set the adhesive. Apply firm pressure, especially at the ends.

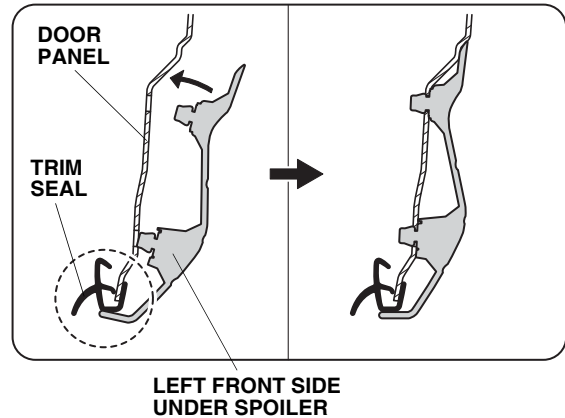
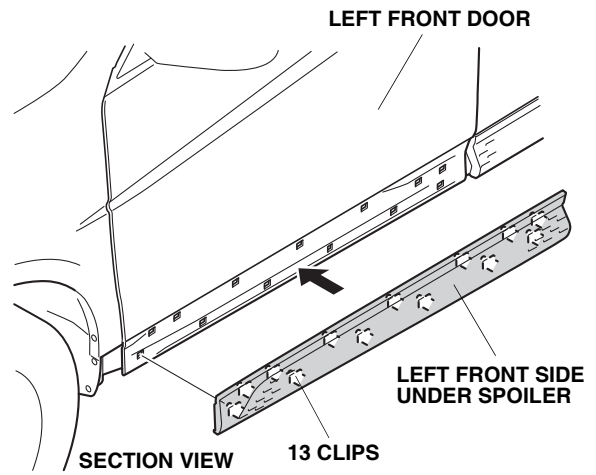


Installing the Left Front Side Under Spoiler

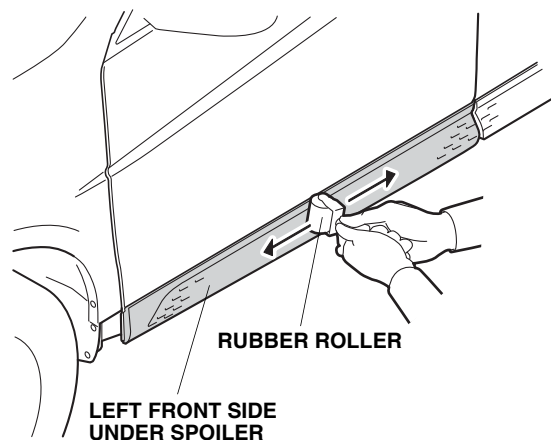
- Remove the two adhesive backings from the left front side under spoiler.



- Hold the new left front side under spoiler against the door, and install the trim seal to the door panel. Fit the 13 clips into the holes in the body, then push on the left front side under spoiler until the clips snap into place.

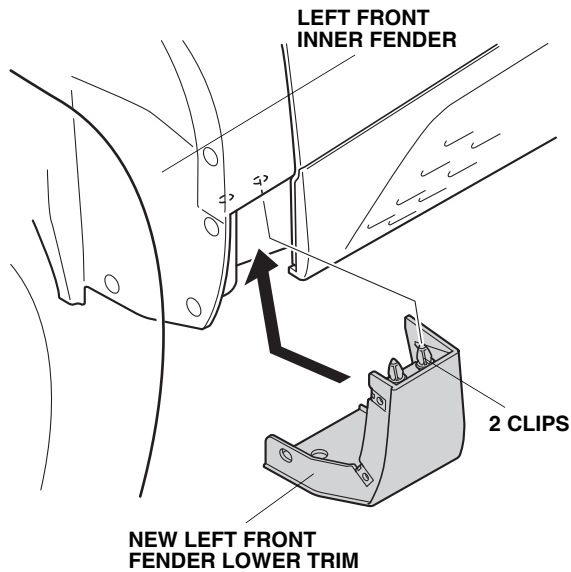


- Using the rubber roller, apply firm pressure while rolling to set the adhesive. Apply firm pressure, especially at the ends.

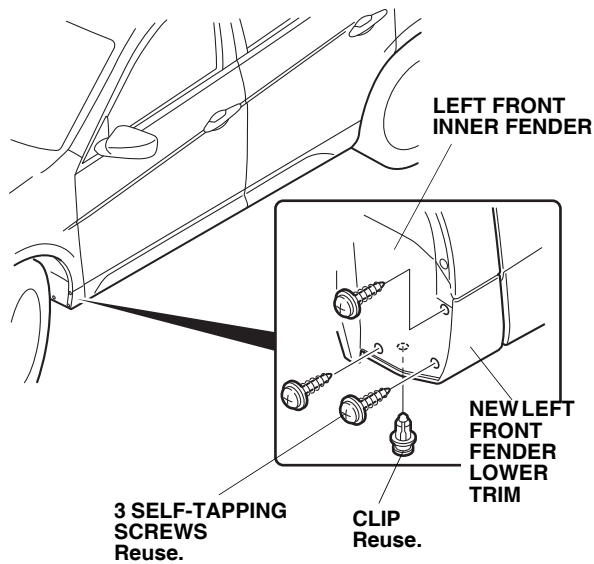


Installing the Left Front Fender Lower Trim

15. Hold the new left front fender lower trim in position, fit the two clips into the holes in the body, then push on the new left front fender lower trim until the clips snap into place.



16. Turn the steering wheel fully counterclockwise.



17. Secure the new left front fender lower trim using three self-tapping screws and one clip.
18. Turn the steering wheel all the way clockwise, and repeat steps 8 thru 17 to install the side under spoilers to the right side of the vehicle.