



# INSTALLATION INSTRUCTIONS

Accessory  
**REMOTE CONTROL ENGINE STARTER**

Application  
**2012 ODYSSEY  
(EXCEPT LX)**

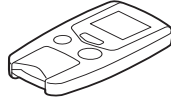
Publications No.  
**All 46745**

Issue Date  
**SEP 2011**

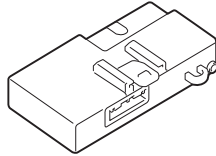
## PARTS LIST

### Remote Control Engine Starter Unit Kit P/N 08E91-E22-101A

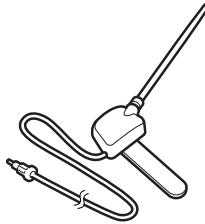
Transmitter



Control unit



Antenna



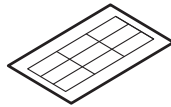
Key ring



Protective tape



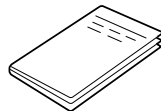
Fuse label



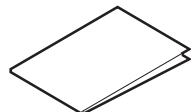
Caution label



Accessory User's Information Manual

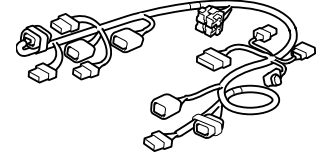


Quick Start Guide

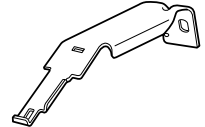


### Remote Control Engine Starter Attachment Kit P/N 08E92-TK8-100

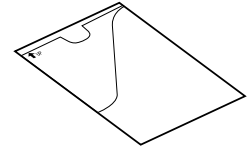
Engine starter harness



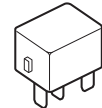
Control unit bracket



Template



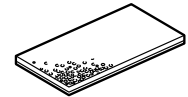
2 Relays



21 Wire ties



6 Urethane tapes



Aluminum tape



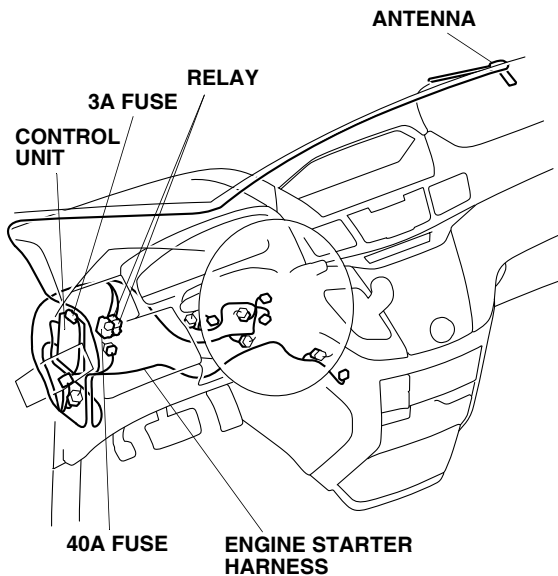
8 mm Nut



## TOOLS AND SUPPLIES REQUIRED

Phillips screwdriver  
Flat-tip screwdriver  
Diagonal cutters  
Ratchet  
8 mm, 10 mm, and 12 mm Sockets  
10 mm Open end wrench  
Trim Tool Set (SOJATP2014)  
(Available through the Honda Tool and Equipment program. On the iN, click on: Service/Service Bay/Tool and Equipment Program, then enter the number under "Search." Or call 888-424-6857.)  
Isopropyl alcohol  
Scissors  
Small flat-tip screwdriver  
Shop towel  
Tape measure  
HDS (Honda Diagnostic System)  
Needle nose pliers  
Torque wrench  
Masking tape

### ***Illustration of the Remote Control Engine Starter Installed in the Vehicle***

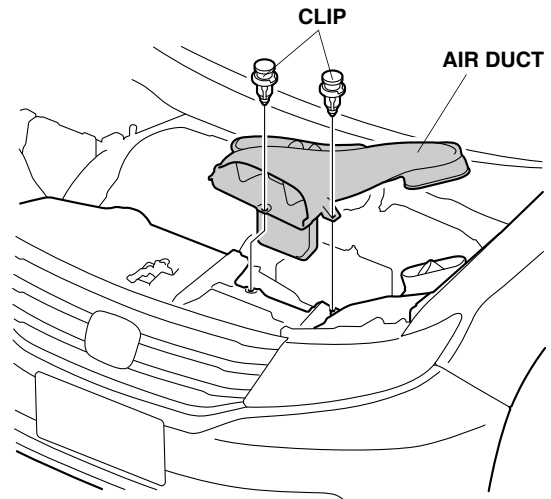


## INSTALLATION

**Customer Information:** The information in this installation instruction is intended for use only by skilled technicians who have the proper tools, equipment, and training to correctly and safely add equipment to your vehicle. These procedures should not be attempted by "do-it-yourselfers."

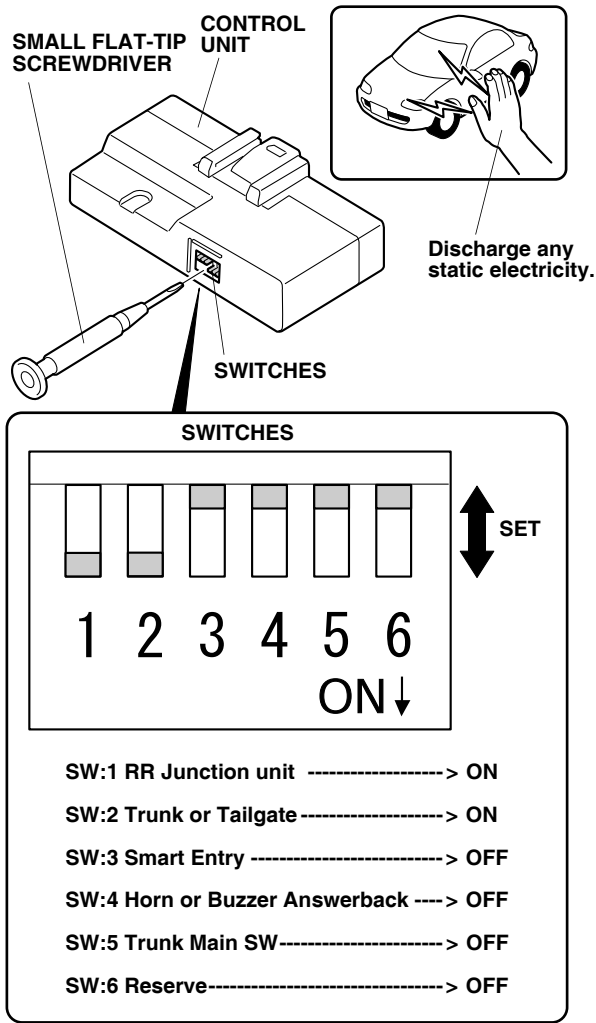
**NOTE:** This antenna should be installed only if the ambient air temperature 15°C (60°F) or above.

1. Make sure you have the anti-theft code for the audio unit and navigation system (if equipped), then write down the radio station presets.
2. Move the driver's seat all the way back.
3. Remove the air duct (two clips).



4. Disconnect the negative cable from the battery.

5. Touch the metal part of the screwdriver to any metal part of the vehicle to discharge any static electricity.

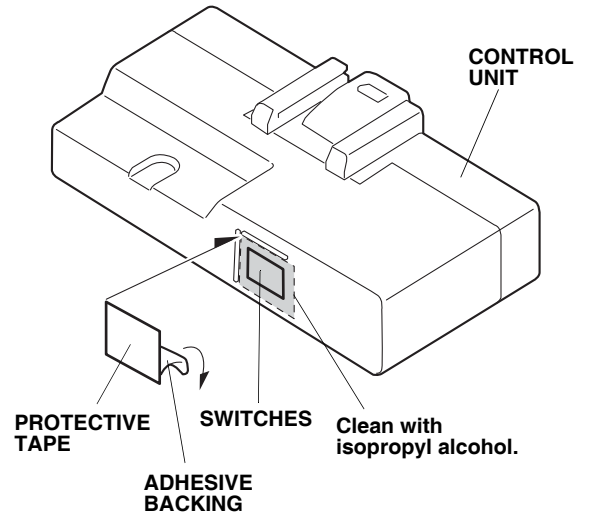


6. Using a small flat-tip screwdriver, set the switches on the control unit to the settings shown above.

**NOTE:**

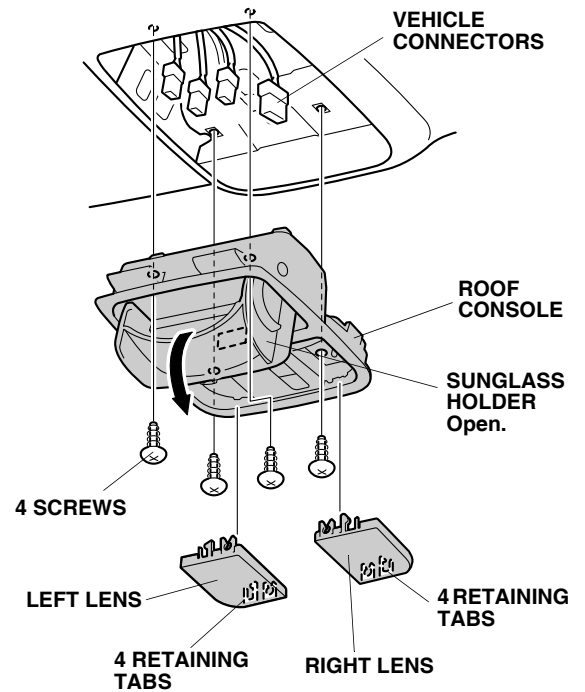
- The switches must be set before the control unit is plugged in.
- If the switch settings are not correct, the remote engine starter will not operate correctly.
- If you change the switch settings with the unit connected, you must disconnect the unit, then reconnect it before the new settings are recognized.

7. Using isopropyl alcohol on a shop towel, clean the area where the protective tape will attach. Attach the protective tape to the control unit over the switches.

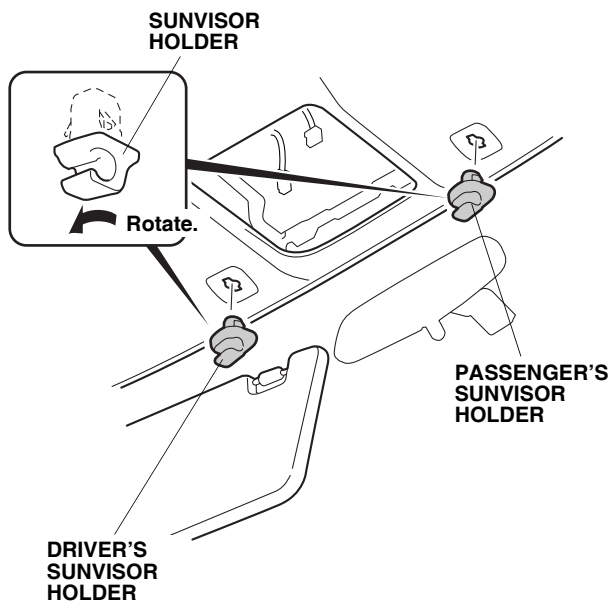


8. Remove the roof console.

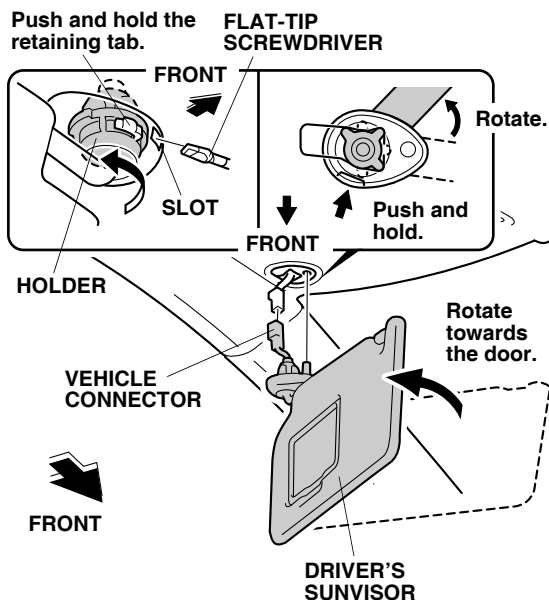
- Using a small flat-tip screwdriver wrapped with a shop towel, pry out and remove the left and right lenses (four retaining tabs each).
- Open the sunglass holder and remove the four screws.
- Remove the roof console (unplug the vehicle connectors).



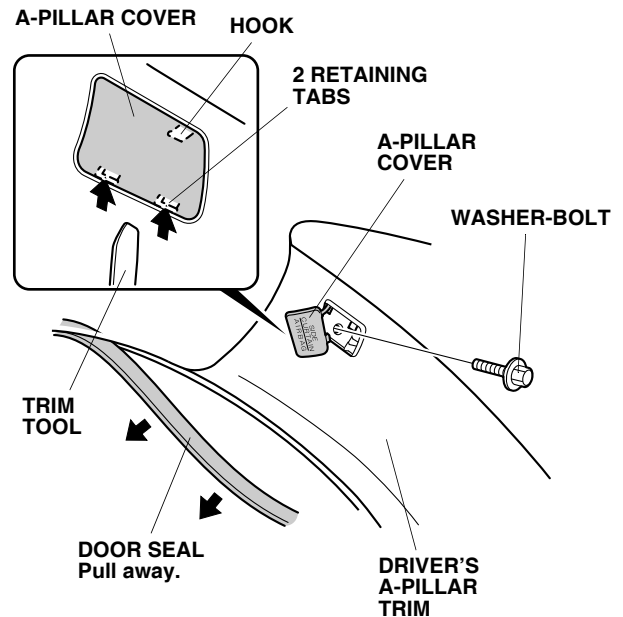
9. Rotate the sunvisor holders 45° counterclockwise and remove them.



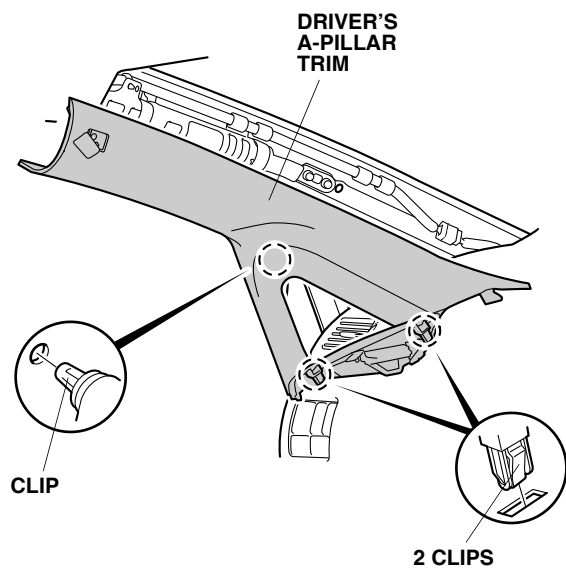
10. Remove the driver's sunvisor.
  - Pivot down the sunvisor.
  - Locate the slot in the sunvisor holder, and insert a flat-tip screwdriver into the slot. Push in and hold the retaining tab.
  - While holding the retaining tab, push up on the sunvisor and rotate toward the door to remove it. NOTE: If the retaining tab did not stay pushed in, return the driver's sunvisor to its original position and repeat the above procedure.
  - Remove the driver's sunvisor (unplug the vehicle connector).



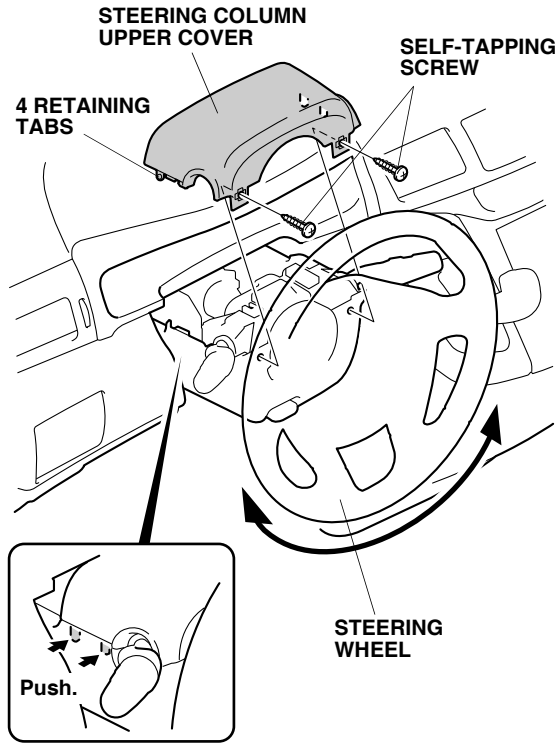
11. Pull away the door seal from around the driver's A-pillar trim. Using a trim tool, remove the A-pillar cover (two retaining tabs and one hook).



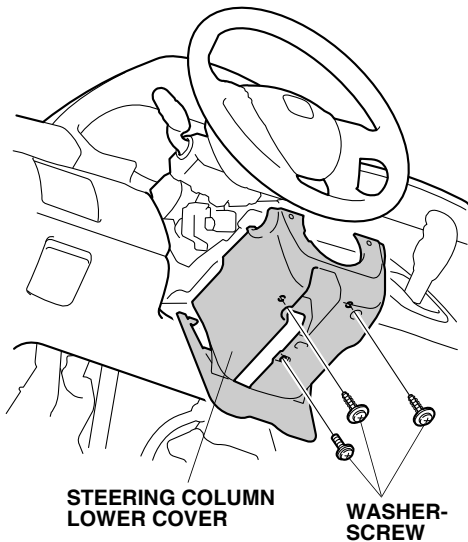
12. Remove the washer-bolt from the driver's A-pillar.
13. Remove the driver's A-pillar trim (three clips).



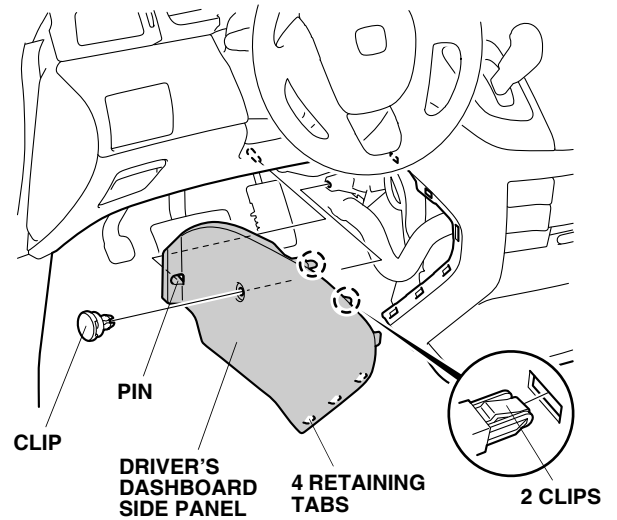
14. Lower the tilt lever and pull the steering wheel out.
15. Remove the steering column upper cover (two self-tapping screws and four retaining tabs).  
NOTE: Adjust the angle of the steering wheel to access each self-tapping screw.



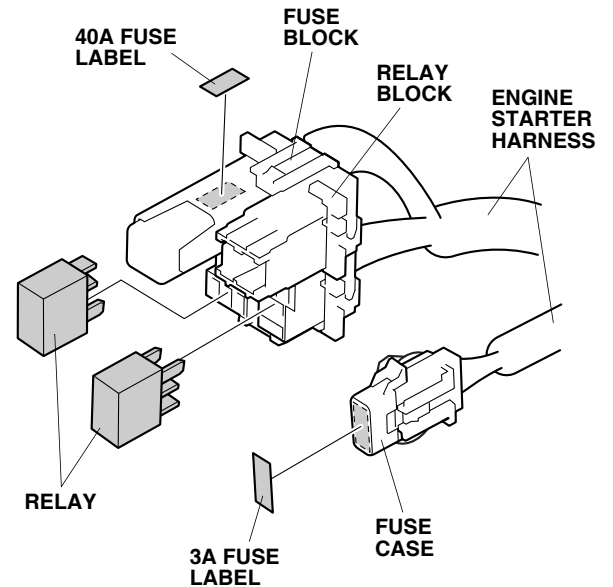
16. Remove the steering column lower cover (three washer-screws).



17. Remove the driver's dashboard side panel (one clip, two clips, four retaining tabs and one pin).

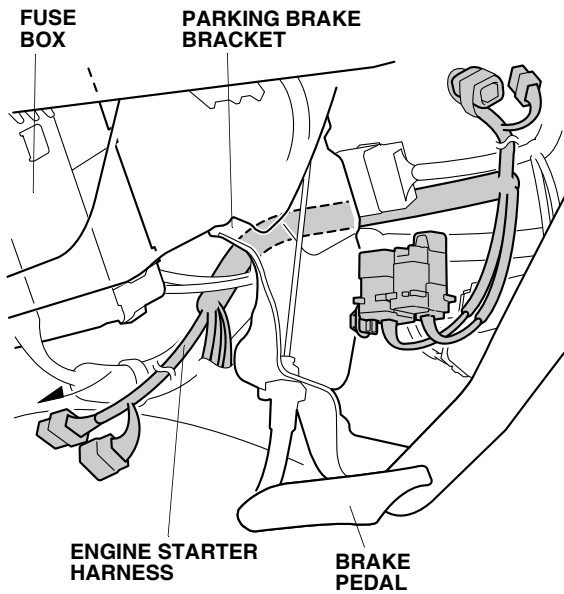


18. Using isopropyl alcohol on a shop towel, thoroughly clean the fuse block and the fuse case where the 40A fuse label and 3A fuse label will attach.

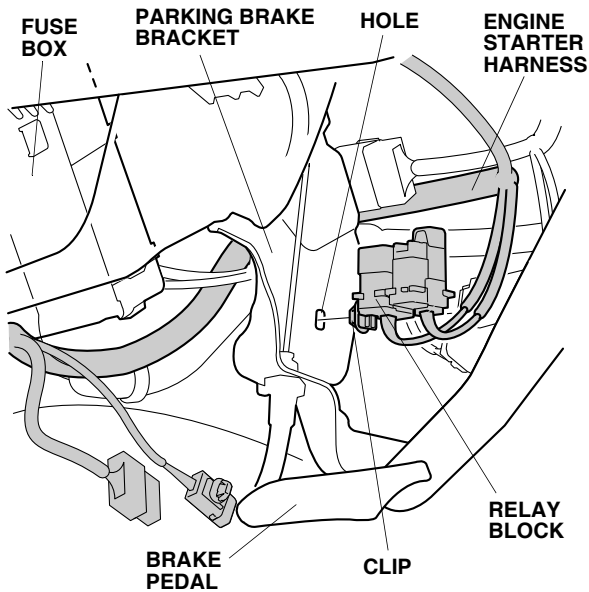


19. Attach the 40A fuse label to the fuse block, and the 3A fuse label to the fuse case on the engine starter harness.
20. Plug two relays into the relay block on the engine starter harness.

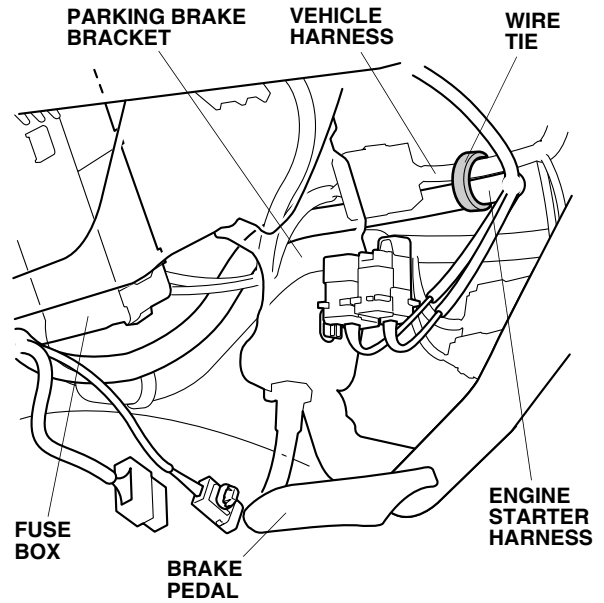
21. Route the engine starter harness under the dashboard as shown.



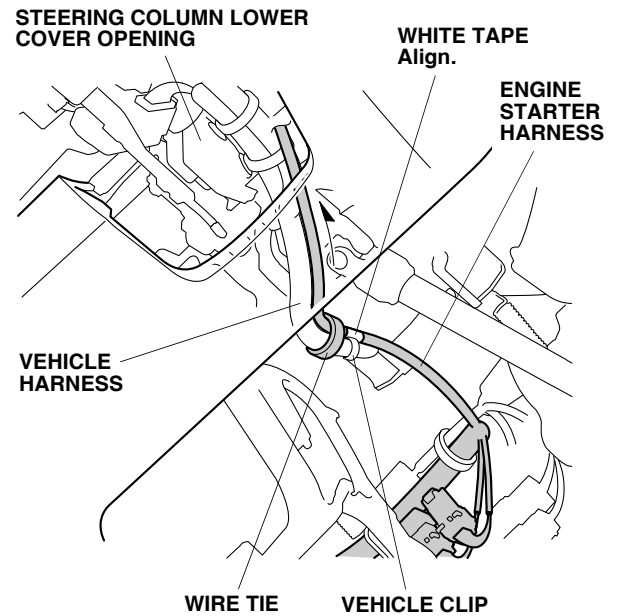
22. Secure the clip on the engine starter harness relay block to the hole in the parking brake bracket.



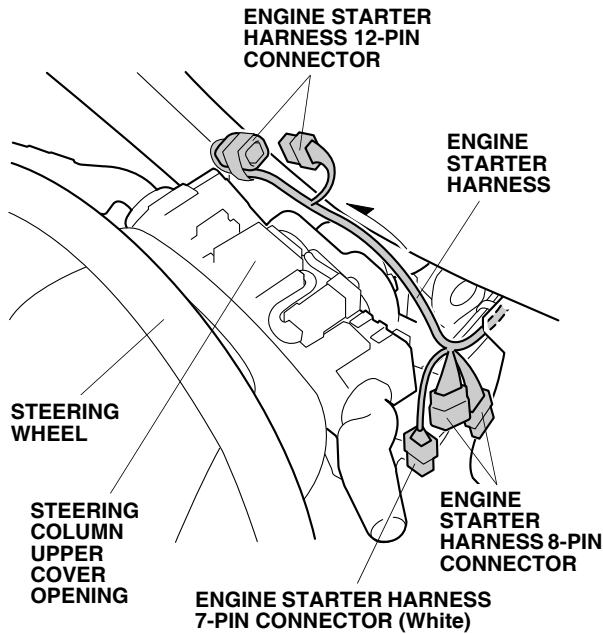
23. Secure the engine starter harness to the vehicle harness with one wire tie.



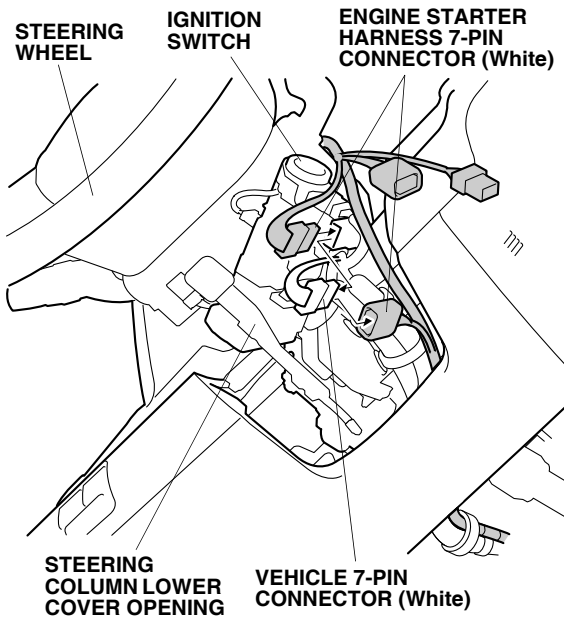
24. Align the white tape on the engine starter harness with the vehicle clip, and secure the engine starter harness to the vehicle harness with one wire tie.



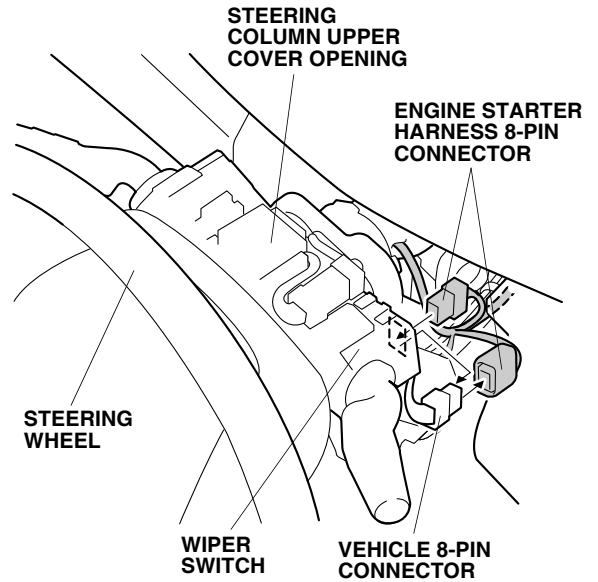
25. Route the engine starter harness up the steering column to the ignition switch.



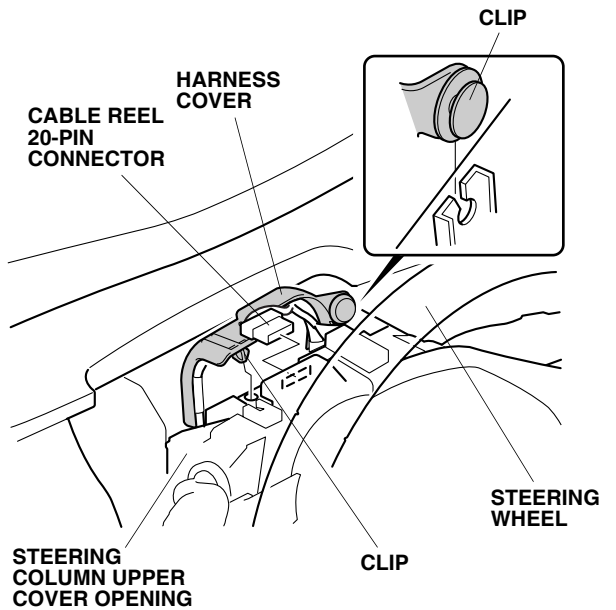
26. Unplug the vehicle 7-pin connector (white) from the ignition switch, and plug it into the engine starter harness 7-pin connector (white). Plug the remaining engine starter harness 7-pin connector (white) into the ignition switch.



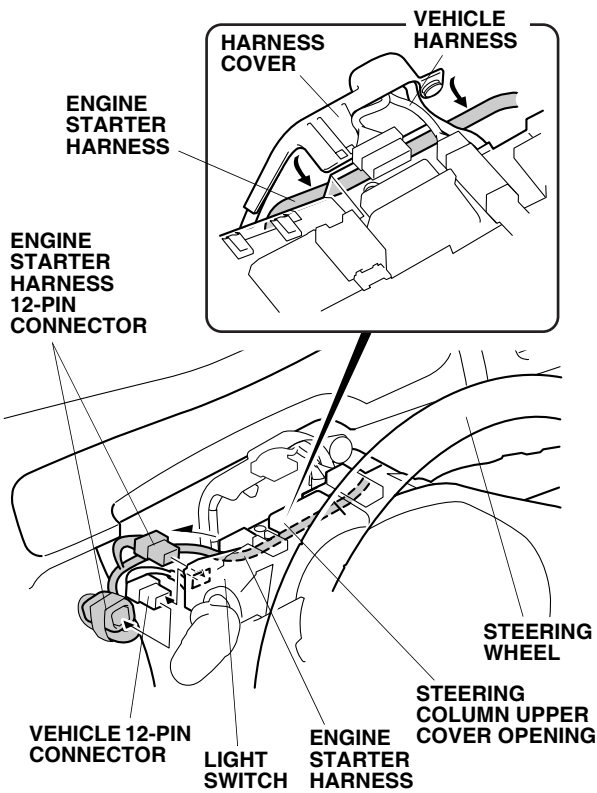
27. Unplug the vehicle 8-pin connector from the wiper switch, and plug it into the engine starter harness 8-pin connector. Plug the remaining engine starter harness 8-pin connector into the wiper switch.



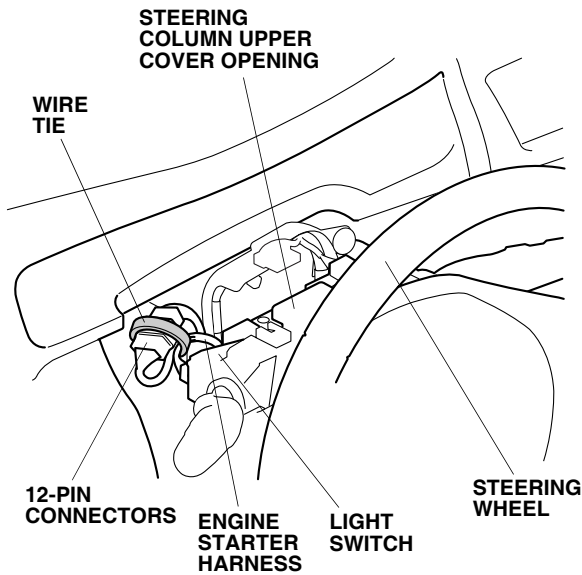
28. Unplug the cable reel 20-pin connector, and release the harness cover (two clips).



29. Route the engine starter harness through the steering column area as shown.

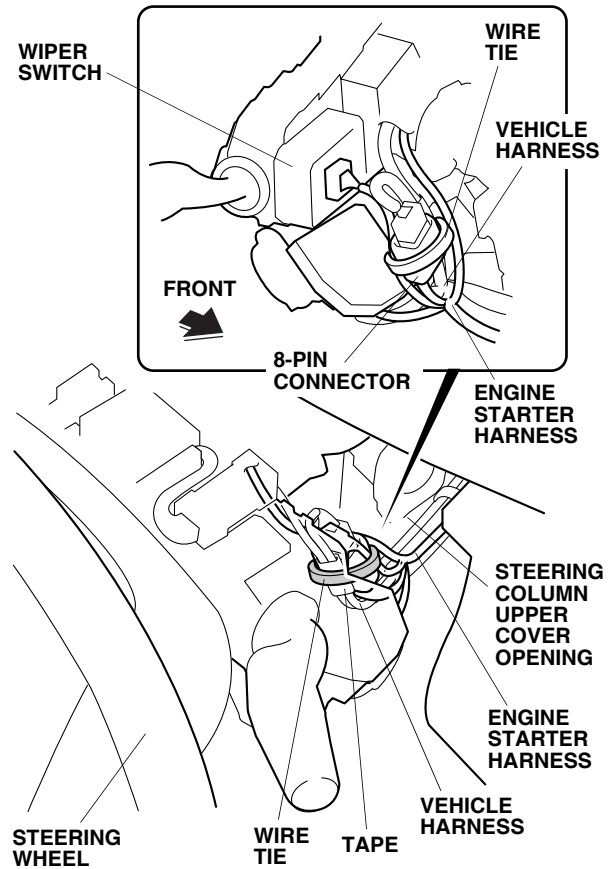


30. Unplug the vehicle 12-pin connector from the light switch, and plug it into the engine starter harness 12-pin connector. Plug the remaining engine starter harness 12-pin connector into the light switch.
31. Secure the 12-pin connectors and the engine starter harness with one wire tie.



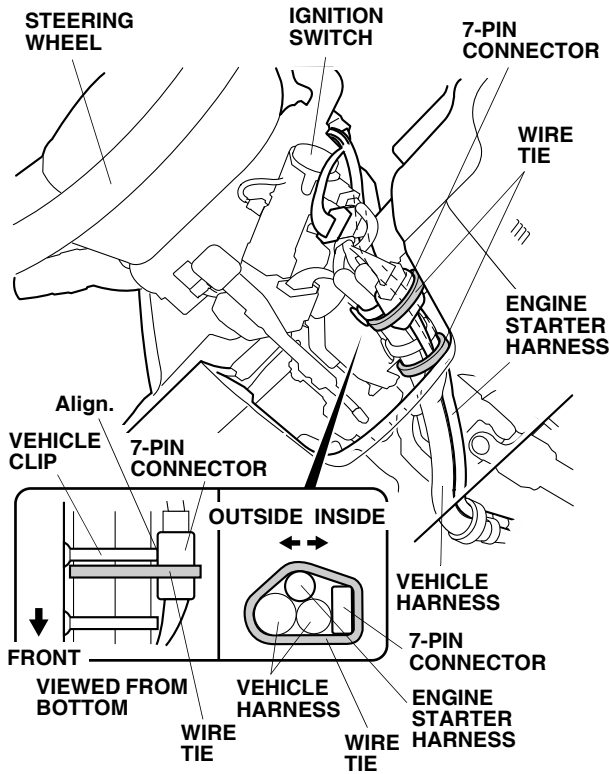
32. Reinstall the harness cover, and reconnect the cable reel 20-pin connector unplugged in step 28.

33. Secure the 8-pin connector and engine starter harness to the vehicle harness with one wire tie as shown.

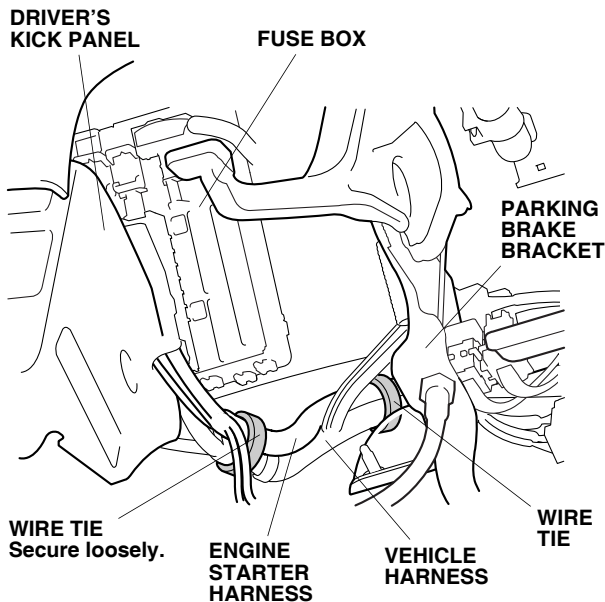




34. Secure the 7-pin connector and the engine starter harness to the vehicle harness with two wire ties as shown.  
NOTE: Make sure that the connectors and harness do not get pinched, or interfere with the steering wheel through its full range of adjustment.

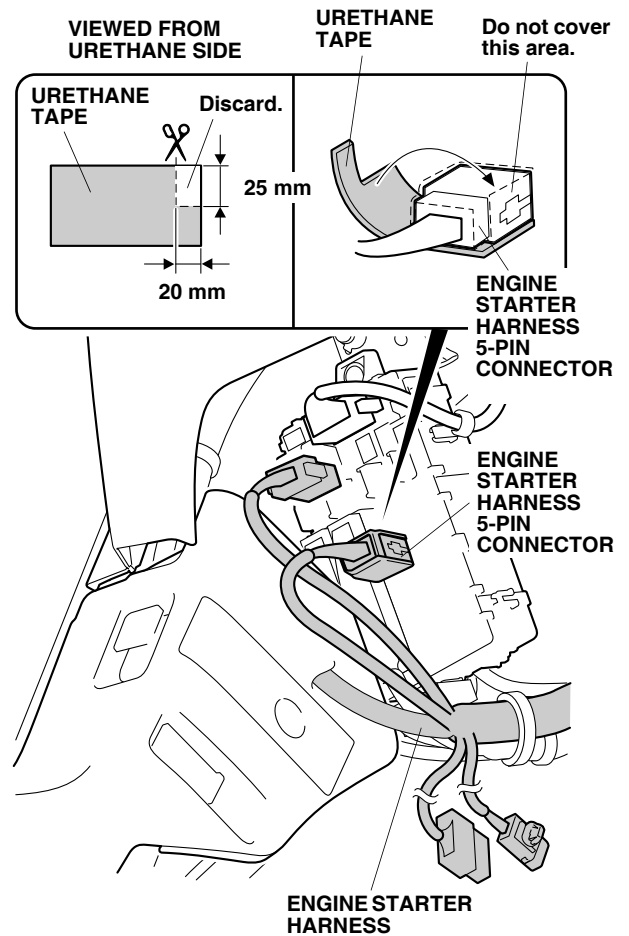


35. Secure the engine starter harness to the vehicle harness with one wire tie.



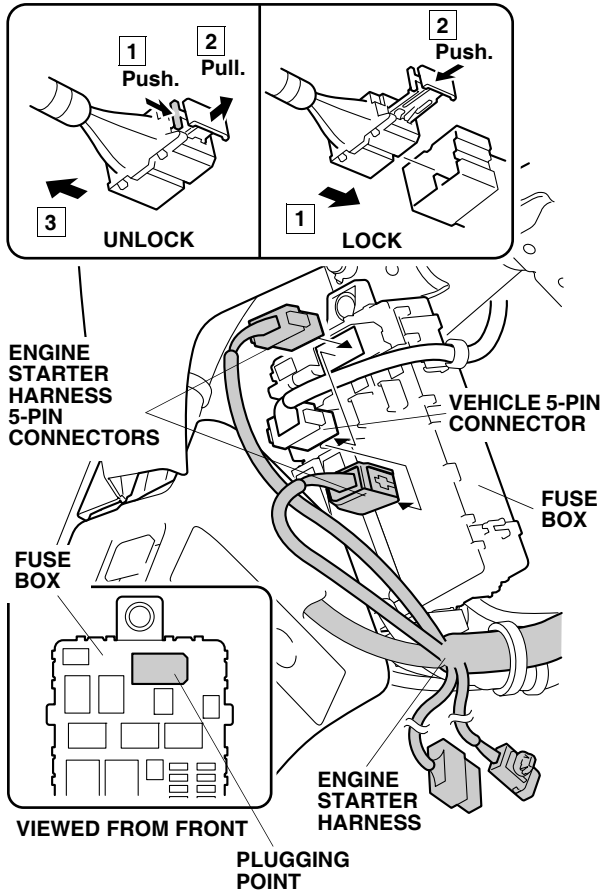
36. Attach the engine starter harness to the vehicle harness with one loosely-secured wire tie.

37. Cut one urethane tape as shown, it around the engine starter harness 5-pin connector as shown.

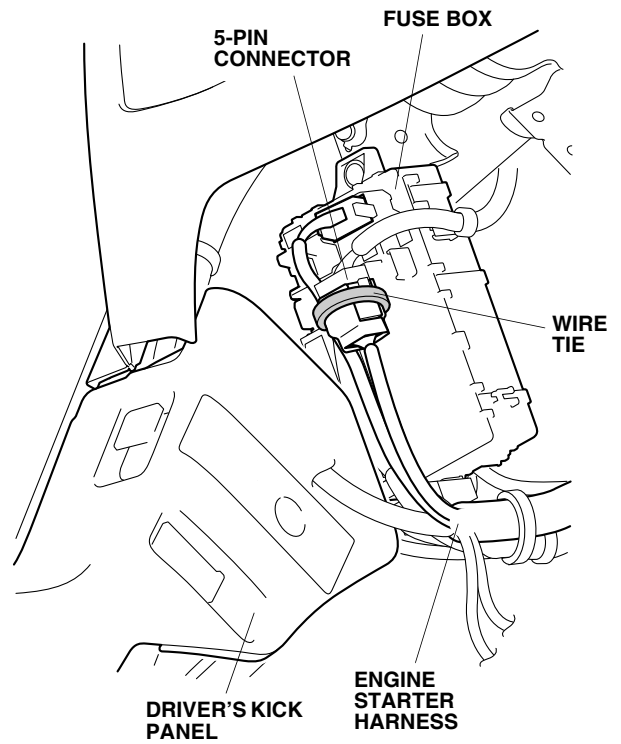


38. Unplug the vehicle 5-pin connector from the fuse box, and plug it into the engine starter harness 5-pin connector. Plug the remaining engine starter harness 5-pin connector into the fuse box.

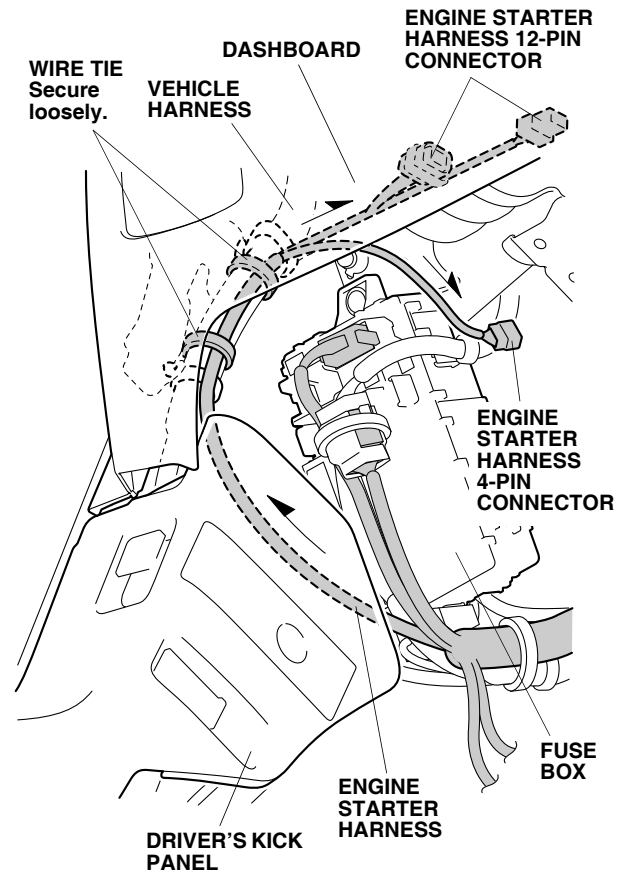
NOTE: Make sure the engine starter harness 5-pin connector is connected securely. A loose connection may cause the engine to stall.



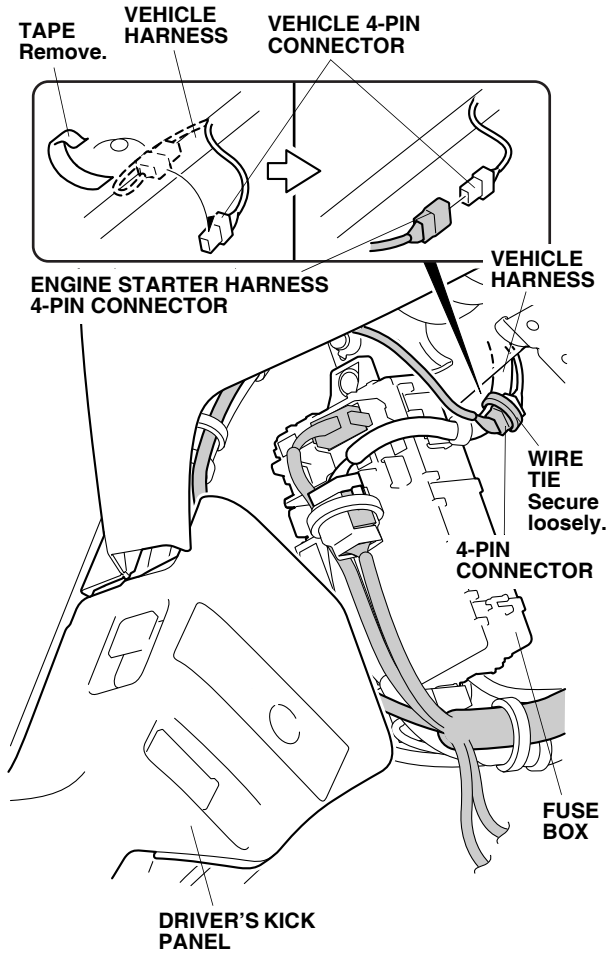
39. Secure the 5-pin connectors and the engine starter harness with one wire tie.



40. Route the engine starter harness, and attach it to the vehicle harness with two loosely-secured wire ties.

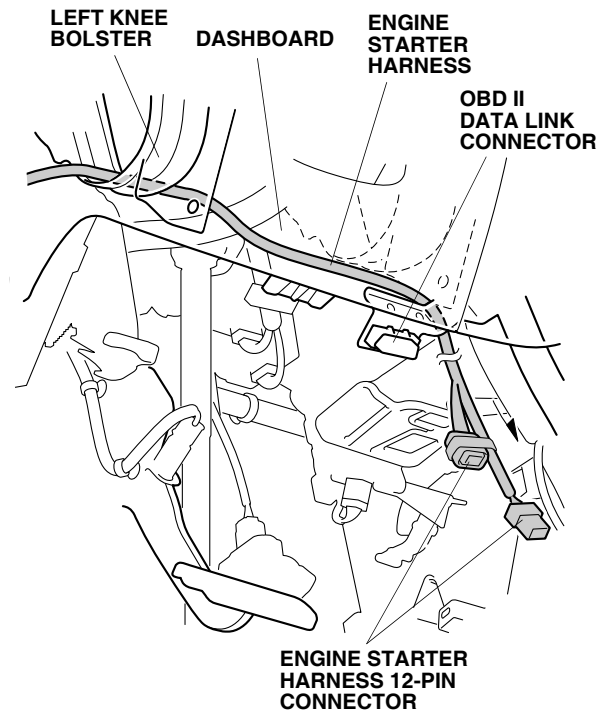


41. Locate the 4-pin connector taped to the vehicle harness, and remove the tape to release the connector. Plug the engine starter harness 4-pin connector into the vehicle 4-pin connector.

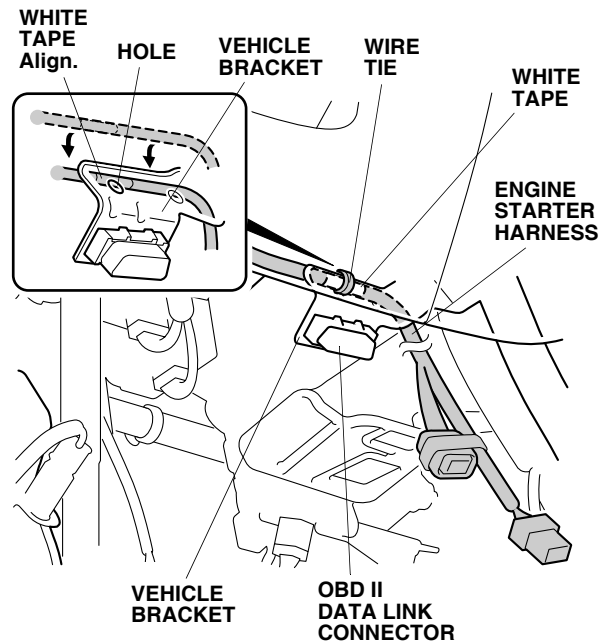


42. Attach the 4-pin connectors to the vehicle harness with one loosely-secured wire tie.

43. Route the engine starter harness across the dashboard as shown.

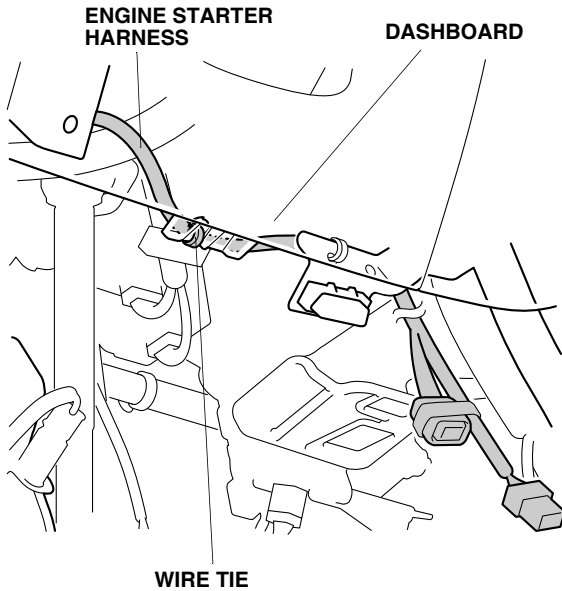


44. Align the white tape on the engine starter harness with the hole in the vehicle bracket, and secure the engine starter harness to the vehicle bracket with one wire tie.

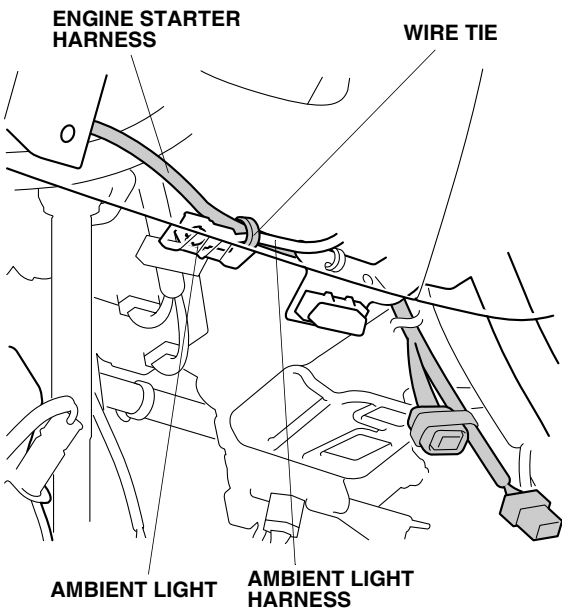


45. Secure the engine starter harness.

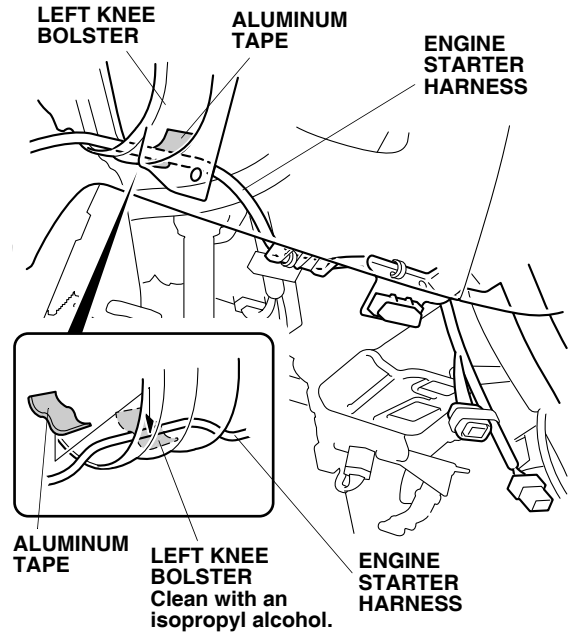
*Without Ambient Light:* Secure the wire tie to the dashboard.



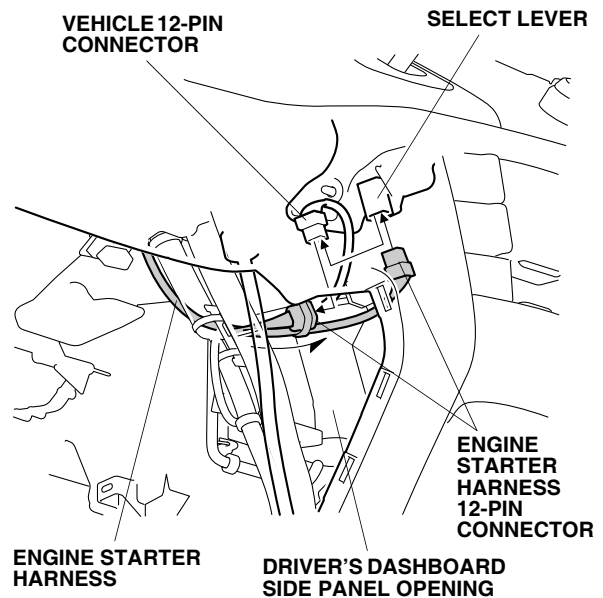
*With Ambient Light:* Secure the wire tie to the ambient light harness.



46. Using isopropyl alcohol on a shop towel, thoroughly clean the left knee bolster where the aluminum tape will attach. Attach the engine starter harness to the inside of the left knee bolster with the aluminum tape.

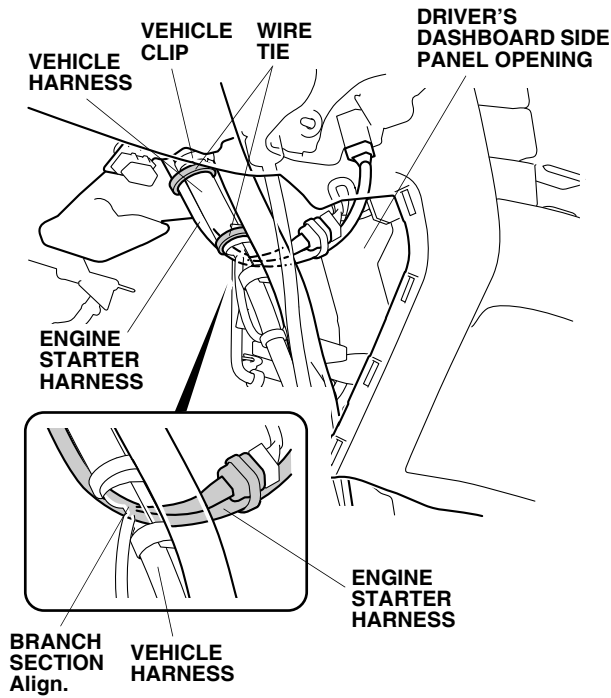


47. Continue routing the engine starter harness as shown.



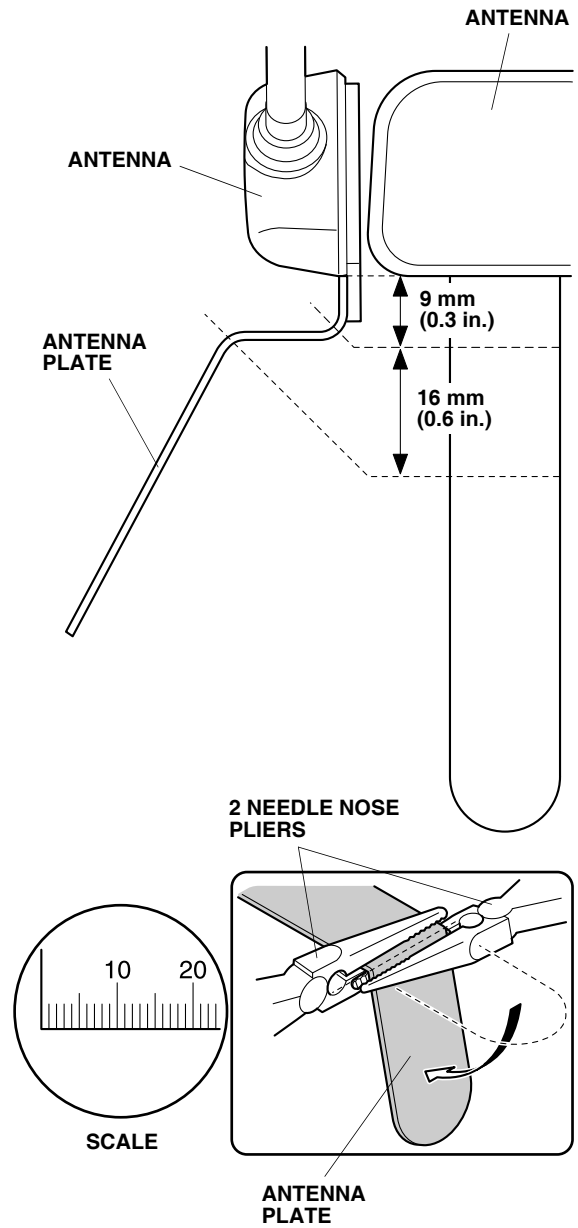
48. Unplug the vehicle 12-pin connector from the select lever, and plug it into the engine starter harness 12-pin connector. Plug the remaining engine starter harness 12-pin connector into the select lever.

49. Align the branch section of the engine starter harness to the branch section of the vehicle harness and secure the engine starter harness to the vehicle harness with two wire ties.



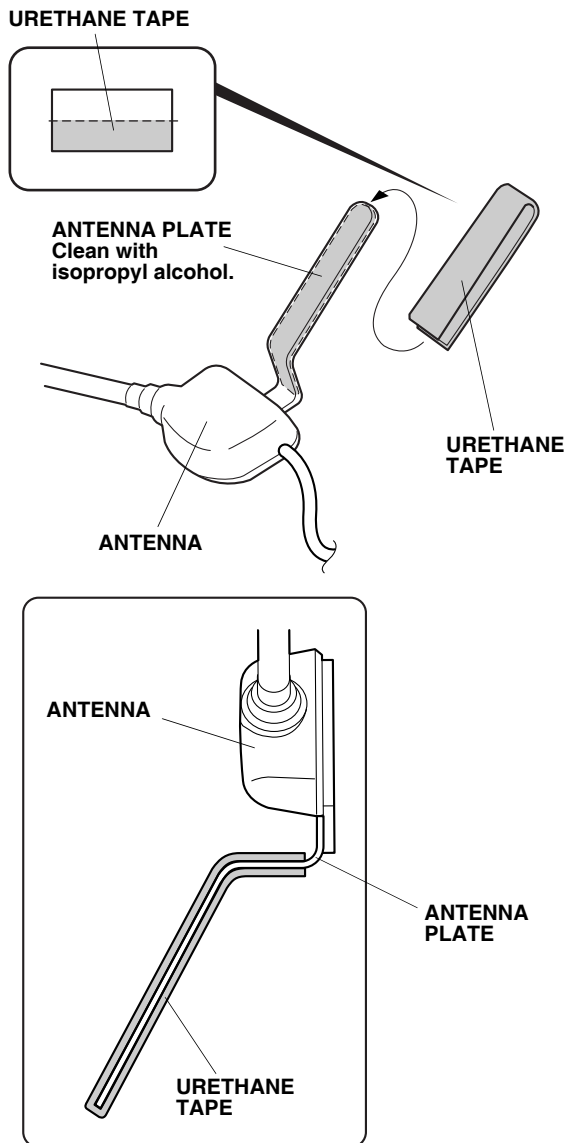
### Installing the Antenna

50. Using two pairs of needle nose pliers, bend the antenna plate according to the full scale drawing as shown.





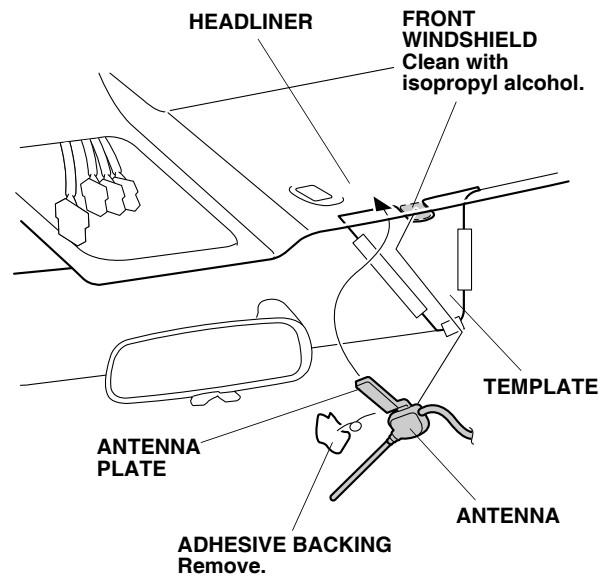
55. Using isopropyl alcohol on a shop towel, thoroughly clean the antenna plate where the urethane tape will attach.



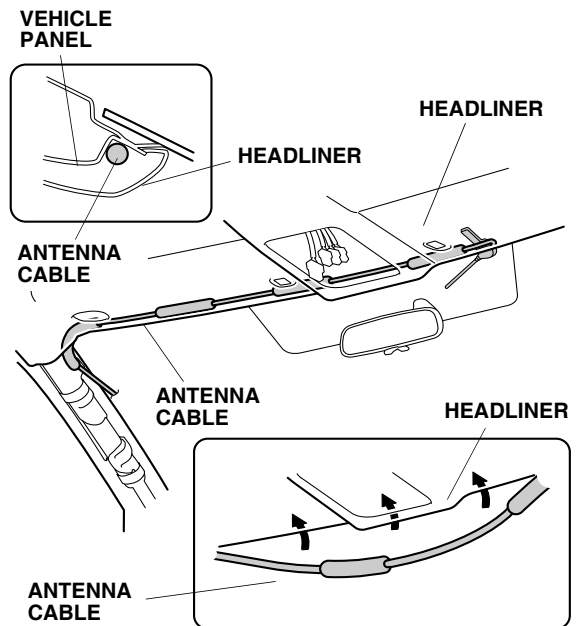
56. Attach the remaining piece of cut urethane tape to the antenna plate as shown.

**NOTE:** Be careful not to crease the headliner during the following procedure.

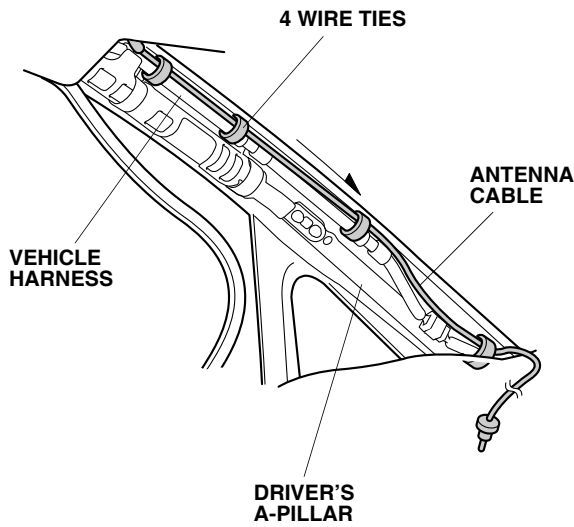
57. Using isopropyl alcohol on a shop towel, thoroughly clean the front windshield where the antenna will attach.



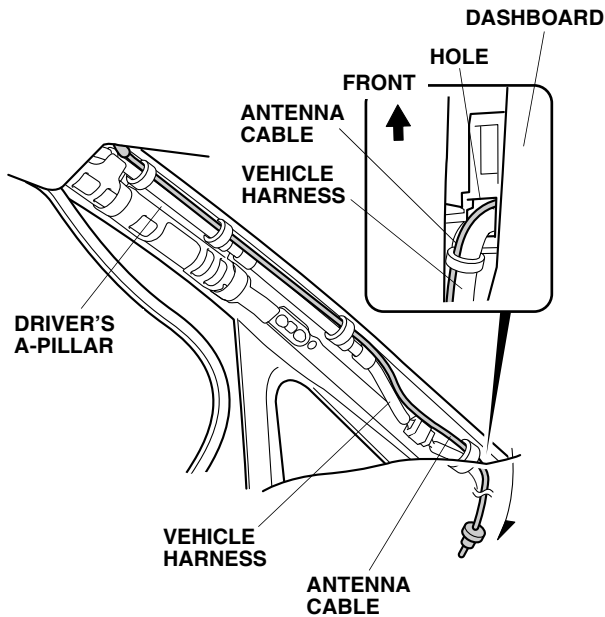
58. Remove the adhesive backing from the antenna. Insert the antenna plate behind the headliner, align the antenna with the template, and attach the antenna to the front windshield. Make sure the antenna is firmly attached to the front windshield.
59. Remove the template.
60. Gently tuck the antenna cable under the headliner as shown. Be careful not to crease the headliner.



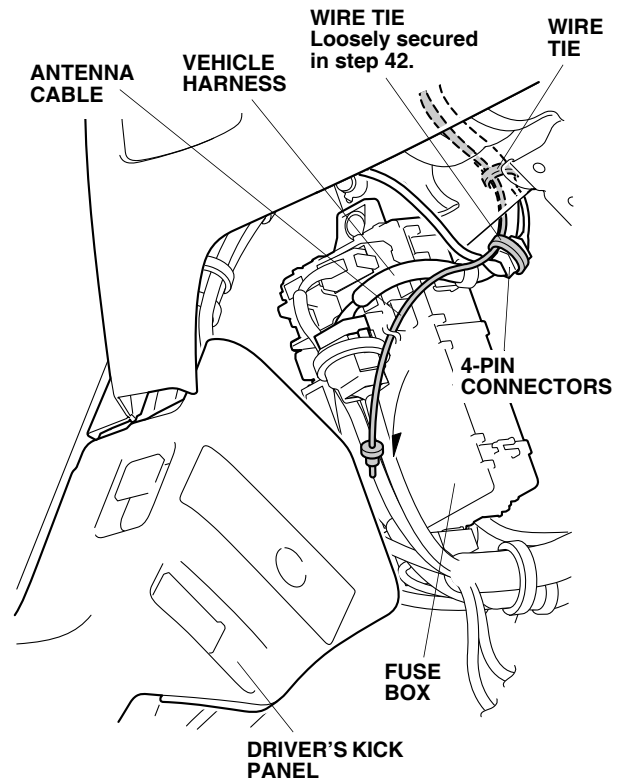
61. Route the antenna cable alongside the vehicle harness, and secure it to the vehicle harness with four wire ties.



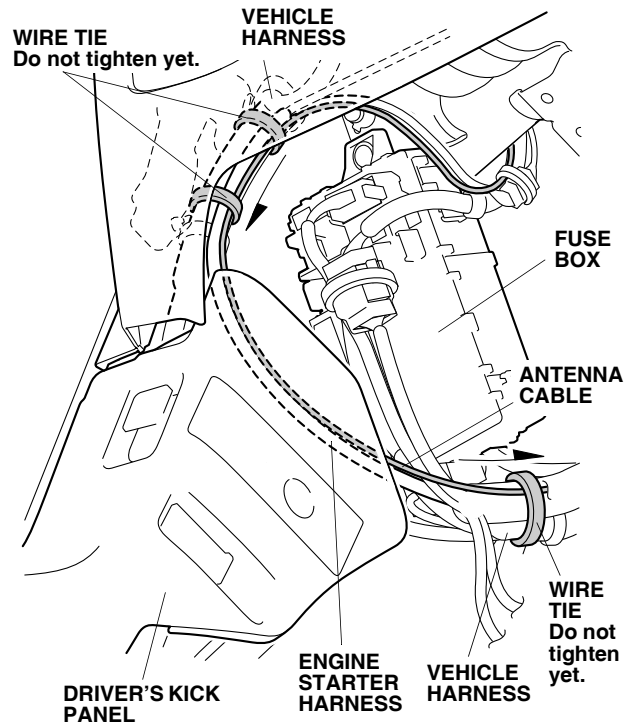
62. Route the antenna cable down and under the dashboard as shown.



63. Route the antenna cable along the vehicle harness. Secure it to the vehicle harness with one wire tie.

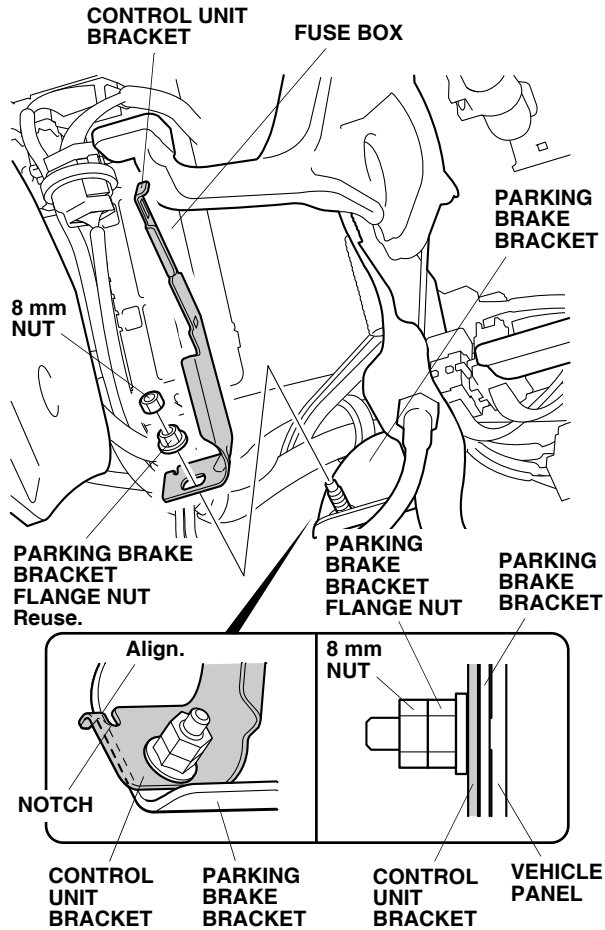


64. Route the antenna cable through the wire tie loosely secured in step 42, and tighten the wire tie.
65. Route the antenna cable along the engine starter harness, and through the three wire ties loosely secured in steps 36 and 40.



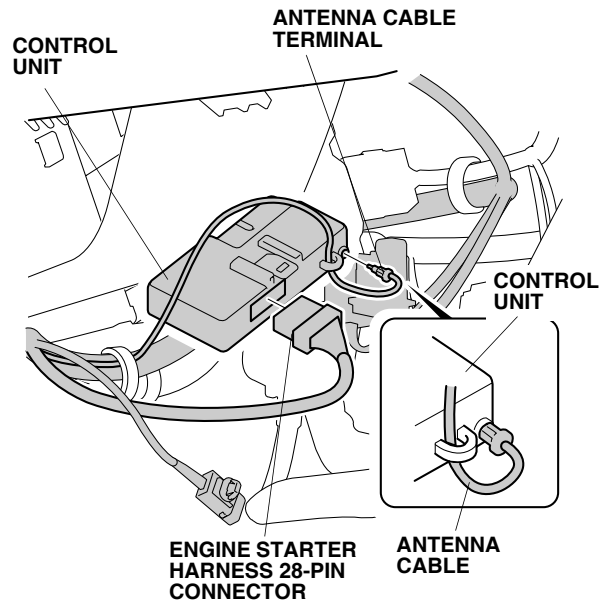


66. Under the dash near the fuse box, locate the parking brake bracket flange nut. Remove the parking brake bracket flange nut.

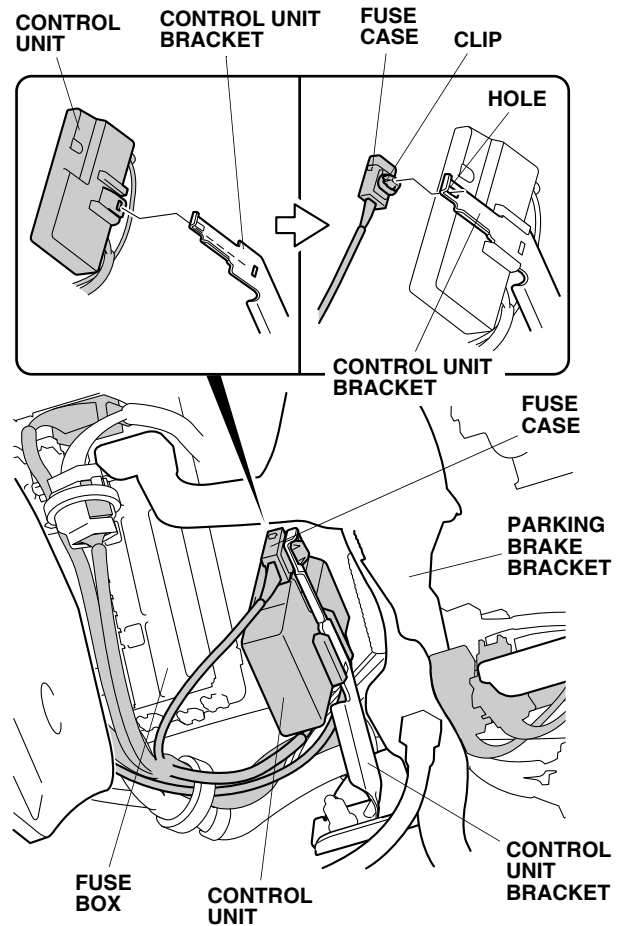


67. Install the control unit bracket to the stud on the parking brake bracket and align the notch in the control unit bracket with the edge of the parking brake bracket. Reinstall the parking brake bracket flange nut, and torque it to 18.7 to 24.5 N·m (13.6 to 17.8 lbf·ft). Install the 8 mm nut (supplied) on top of the parking brake bracket flange nut, and torque it to 18.7 to 24.5 N·m (13.6 to 17.8 lbf·ft).

68. Plug the antenna cable terminal and the engine starter harness 28-pin connector into the control unit.

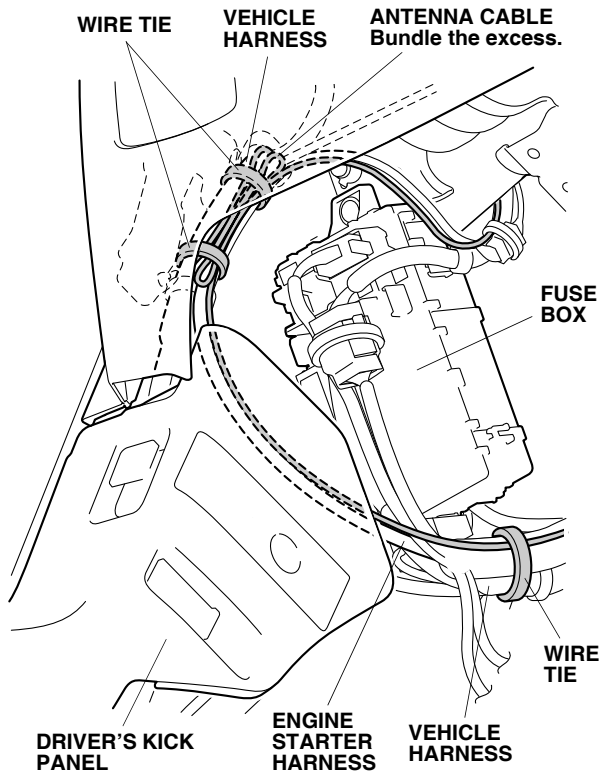


69. Install the control unit to the control unit bracket.

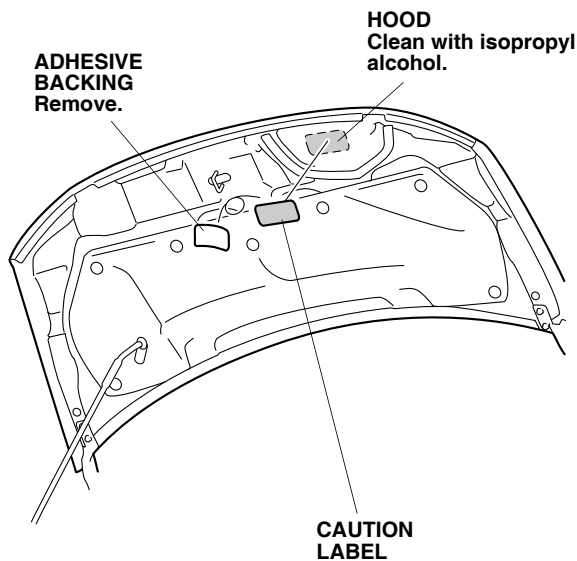


70. Attach the clip on the engine starter harness fuse case to the hole in the control unit bracket.

71. Bundle up the excess antenna cable, and secure it to the vehicle harness with the two wire ties loosely secured in step 40. Tighten the lower wire tie loosely secured in step 36.



72. Open the hood. Using isopropyl alcohol on a shop towel, thoroughly clean the hood where the caution label will attach.

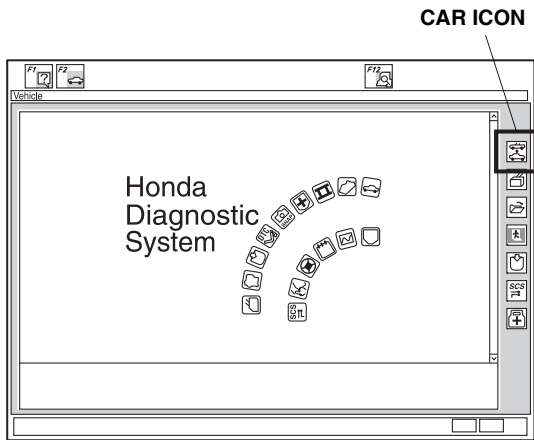


73. Remove the adhesive backing from the caution label, and attach the caution label to the hood in the area shown.

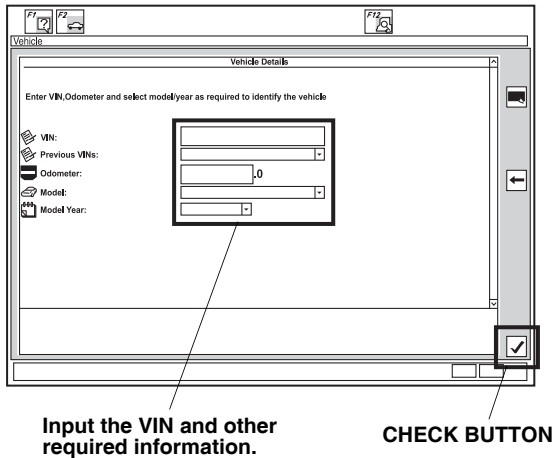
74. Check that all wire harnesses and cables are routed properly and that all connectors are plugged in.
75. Reinstall all removed parts. Take care not to pinch the airbag during reinstallation of the A-pillar trim. Do not push excessively on the A-pillar trim.
76. Reconnect the negative cable to the battery.
77. Check the operation of the headlights and wipers.
78. Enter the anti-theft code for the audio unit and the navigation system if equipped and reset the radio station presets.
79. Reset the clock on vehicles without navigation.
80. Proceed to the **REMOTE ENGINE STARTER REGISTRATION** (Page 19) and **FUNCTION CHECK** (Page 22).

## REMOTE ENGINE STARTER REGISTRATION

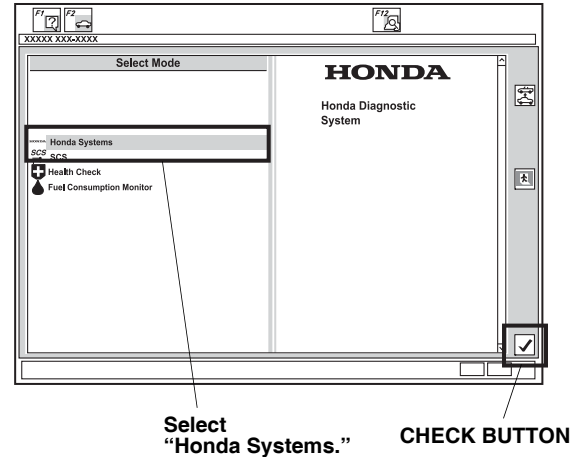
1. Acquire the PCM Code from the Interactive Network.
2. Connect the HDS tester to the OBD II data link connector, then turn the ignition switch to the on (II) position.
3. Start the HDS, and click the car icon.



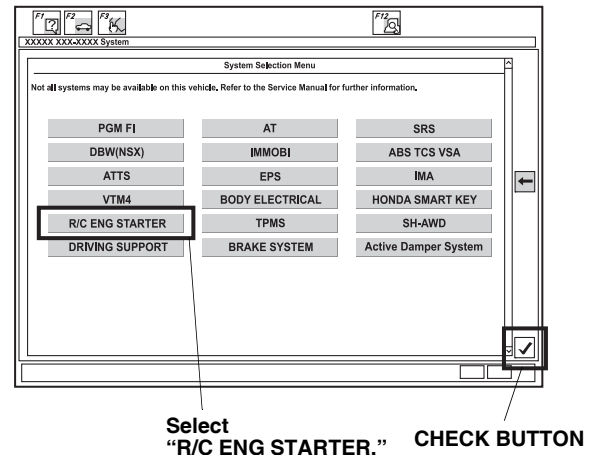
4. Input the VIN and other required information into the HDS, then click the check button.



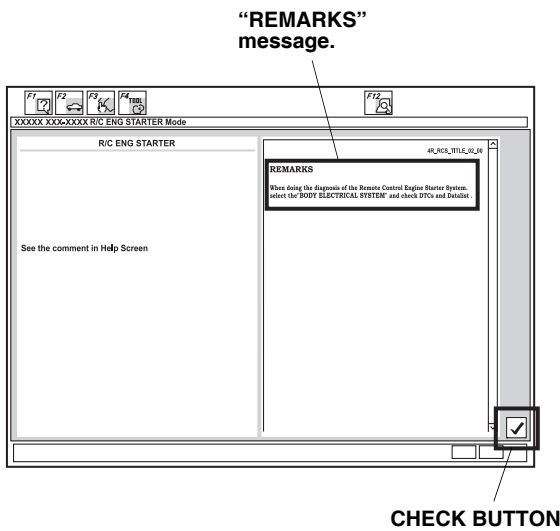
5. Select **Honda Systems**, then click the check button.



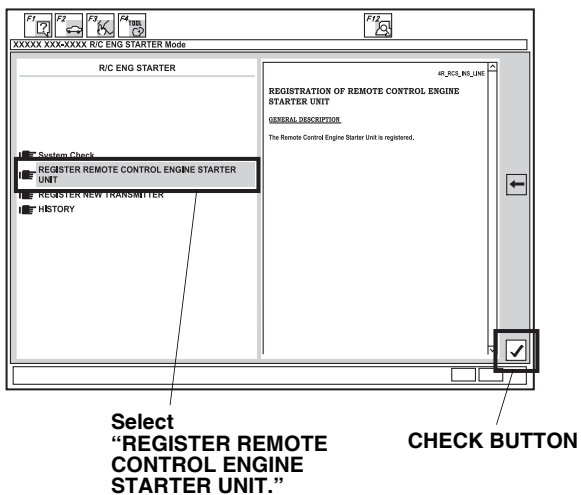
6. Select **R/C ENG STARTER** and click the check button.



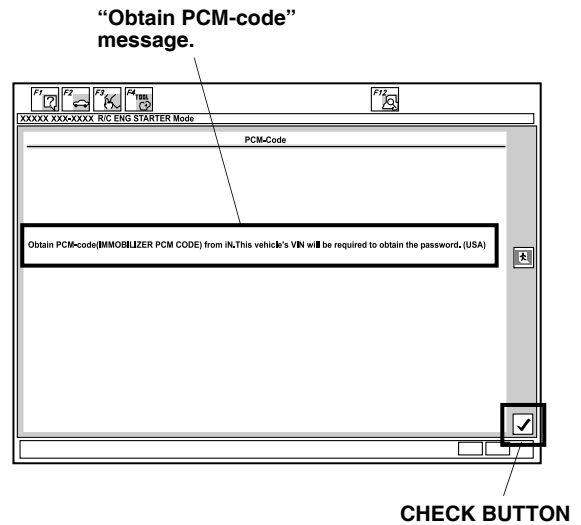
7. A **REMARKS** message will display. Click on the check button.



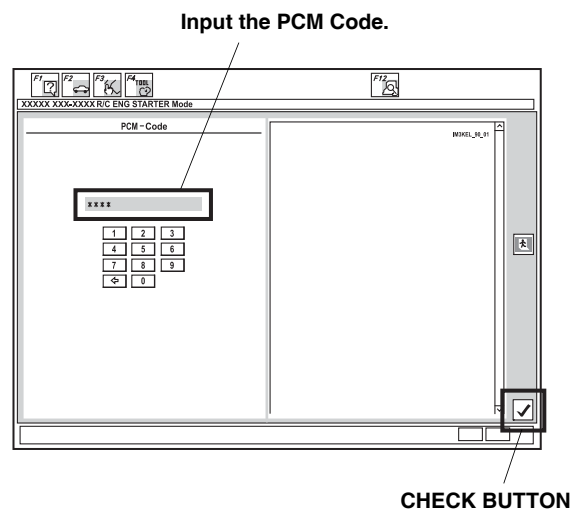
8. Select **REGISTER REMOTE CONTROL ENGINE STARTER UNIT**, then click the check button.



9. The following message will display: **Obtain PCM code (IMMOBILIZER PCM CODE) from iN.** This vehicle's VIN will be required to obtain the password (USA). Click on the check button.

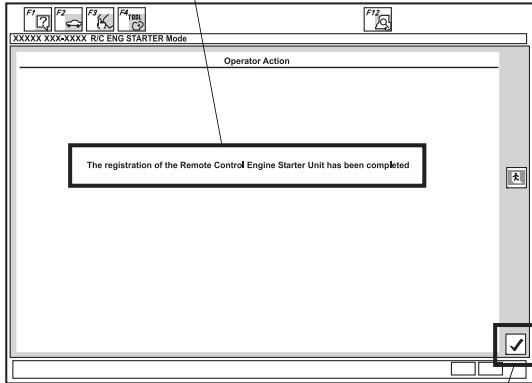


10. Input the PCM Code, then click the check button. NOTE: To ensure security, the PCM code (password) is changed everyday, so it is impossible to register the remote control engine starter if the dates of the PCM code acquisition and registration are different. The date of the HDS tester should also be the same.



11. The following message will display: **The registration of the Remote Control Engine Starter Unit has been completed.** Click on the check button.

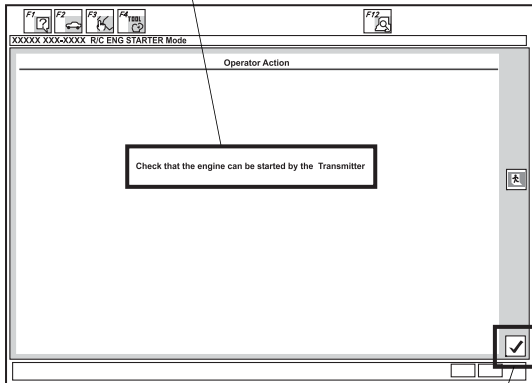
**“The registration of the Remote Control Engine Starter Unit has been completed”.**



**CHECK BUTTON**

12. The following message will display: **Check that the engine can be started by the Transmitter.** Click on the check button.

**“Check that the engine can be started by the Transmitter”.**



**CHECK BUTTON**

13. Perform the **FUNCTION CHECK** on page 22, then disconnect the HDS.

## FUNCTION CHECK

### Operating Conditions

- The hood is closed
- The shift lever is in park
- The key is out of the ignition and the key is outside the vehicle
- All doors and tailgate closed and locked

### Inspection

1. Press the command button, and then, within 1 second, press the start button on the transmitter.  
The engine should start if all operating conditions are met.

Does the engine start?

Yes - Operation is normal.
No: <ul style="list-style-type: none"><li>• Make sure all "Operating Conditions" are met.</li><li>• Check the engine starter harness connections.</li><li>• Connect the HDS and check for an indicated failure. (Refer to the appropriate service manual for details.)</li></ul>

2. Press the command button on the transmitter and, within 1 second, press the stop button. The engine should stop.

Does the engine stop?

Yes - Operation is normal.
No - Check the engine starter harness connections.

3. After the engine has stopped, start the engine again, and check that the engine stops after each of the following conditions:

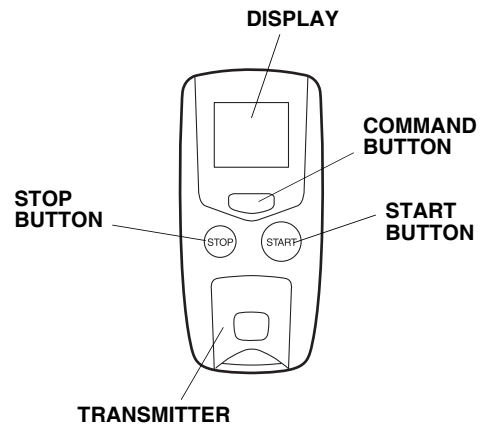
NOTE: After each test the ignition key must be cycled, or the driver's door must be opened and closed.

- Move the shift lever out of the P position.
- Unlock or open the doors or the tailgate.
- Open the hood.
- Insert the key in the ignition.
- Press on the brake pedal.

Does the engine stop after each of these tests?

Yes - Operation is normal.
No - Check the engine starter harness connections.

4. Check that the power windows and the moonroof do not function when the engine is started with the transmitter.
5. Start the engine again, press the command button on the transmitter two times and check the vehicle condition on the display.
6. Check the operation of the transmitter when the vehicle is 100 m to 150 m (325 to 490 ft.) away and in direct sight.



### **How to Program an Additional Transmitter**

1. Connect the HDS to the data link connector.
2. Start the HDS and click on the car icon.
3. Input the vehicle's VIN and other required information.
4. Select **Honda Systems**.
5. Select **R/C Engine Starter**.
6. Select **REGISTER NEW TRANSMITTER**.
7. When "Ready to program the new transmitter" shows, select **ENTER**.
8. Press and release the Command button.
9. Press and release the Stop button.
10. Perform the function check on both transmitters.

**NOTE:** Only 2 remotes can be stored in the system's memory.