



# INSTALLATION INSTRUCTIONS

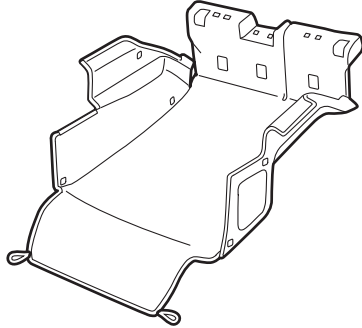
Accessory  
**CARGO LINER**  
P/N 08P42-SZA-101

Application  
**2012 PILOT**

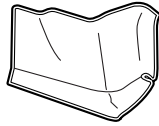
Publications No.  
**All 46371**  
Issue Date  
**AUG 2011**

## PARTS LIST

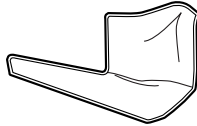
Cargo liner



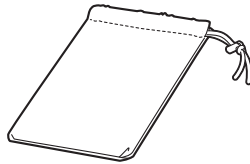
Power tailgate patch



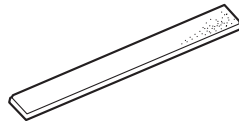
Non power tailgate patch



Bag



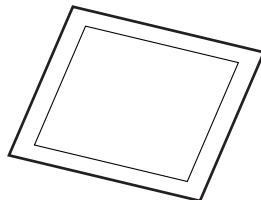
4 Long fastener pads



16 Short fastener pads



8 Alcohol swabs



## TOOLS AND SUPPLIES REQUIRED

- Small flat-tip screwdriver
- Rubber roller

## INSTALLATION

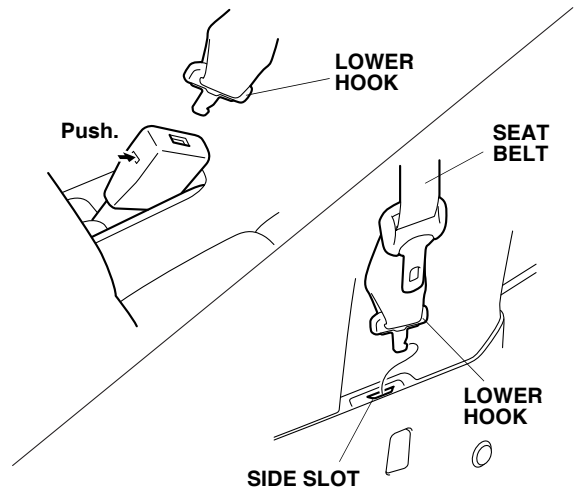
**Customer Information:** The information in this installation instruction is intended for use only by skilled technicians who have the proper tools, equipment, and training to correctly and safely add equipment to your vehicle. These procedures should not be attempted by "do-it-yourselfers."

### NOTE:

- This cargo liner cannot be installed with the interior bicycle attachment, the seat cover, or the advanced cargo net.
- This cargo liner should be installed only if the ambient air temperature is 15°C (60°F) or above. Warm up the surface of the vehicle body where the accessory will be attached to 15°C ~ 40°C when the temperature is low, especially in winter. Bonding performance of the double-sided adhesive tape could be reduced at low temperature.

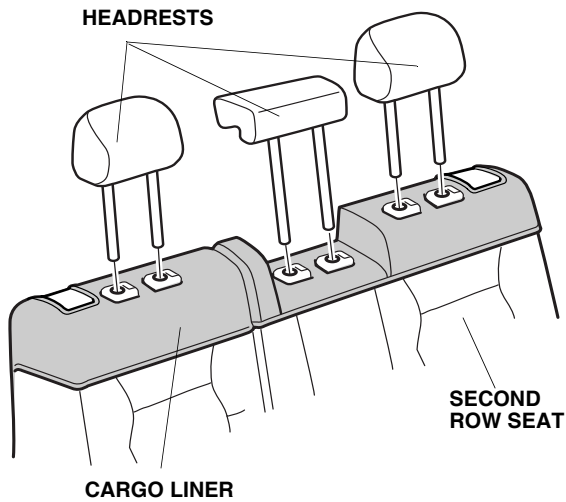
### Installing the Cargo Liner

- Using a small flat-tip screwdriver, push and release the seat belt lower hook from each third row seat. Insert the seat belt lower hooks into the side slots.

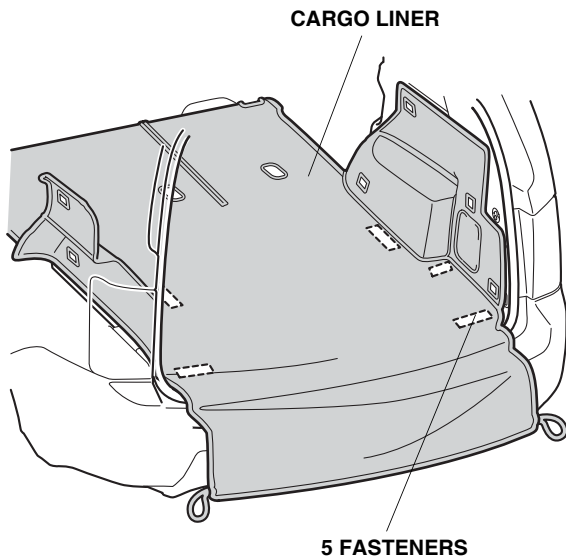


- Fold down the third row seats.

- Remove the headrests from the second row seats by pushing the release buttons and lifting the headrests.

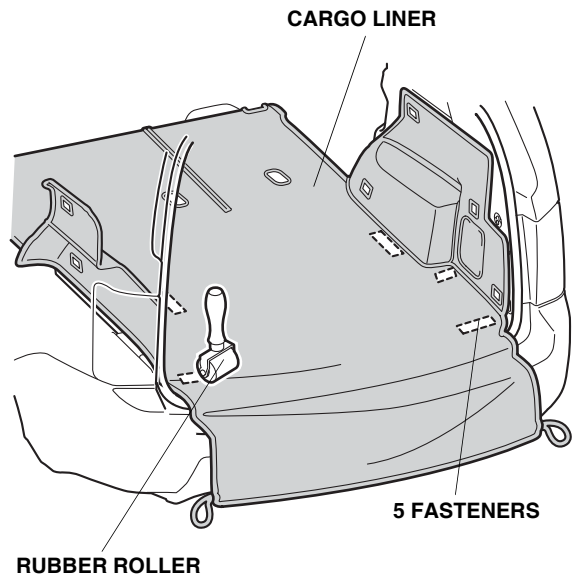


- Install the cargo liner over the second row seat, then reinstall the headrests.
- Fold down the second row seats.

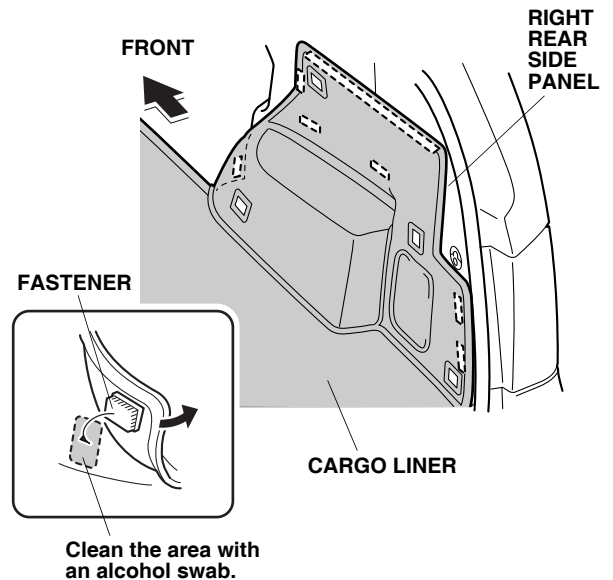


- Attach five fasteners on the cargo liner to the cargo floor as shown.

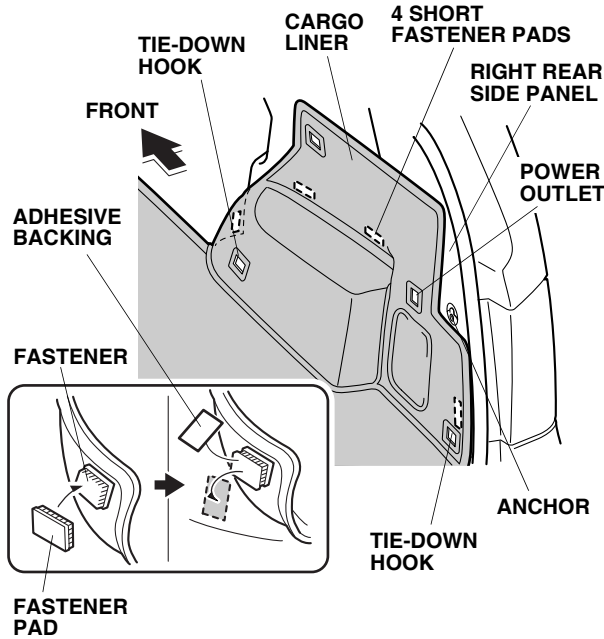
- Press the five fasteners firmly against the cargo floor with the rubber roller.



- Align the cargo liner to the right rear side panel. Fold the cargo liner back and, using two alcohol swabs, thoroughly clean the area where the fasteners will attach. After cleaning with the alcohol swabs, wait at least 3 minutes before continuing to the next step.

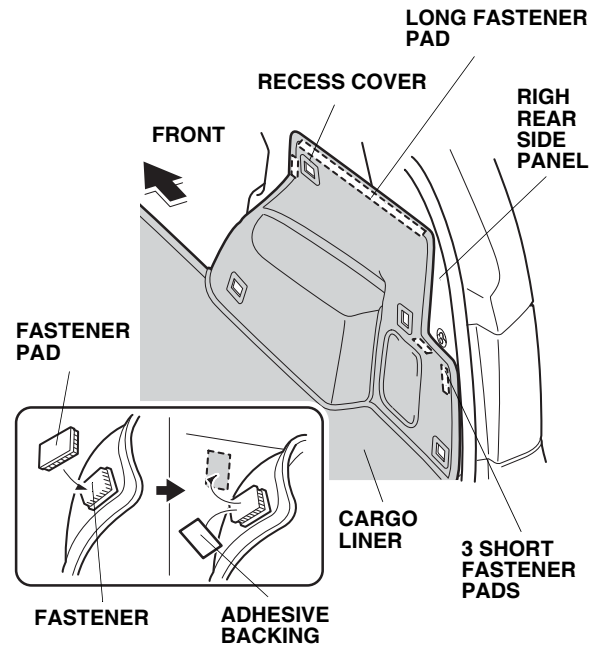


- Align the holes on the cargo liner to the two tie-down hooks, anchor, and power outlet on the right rear side panel.



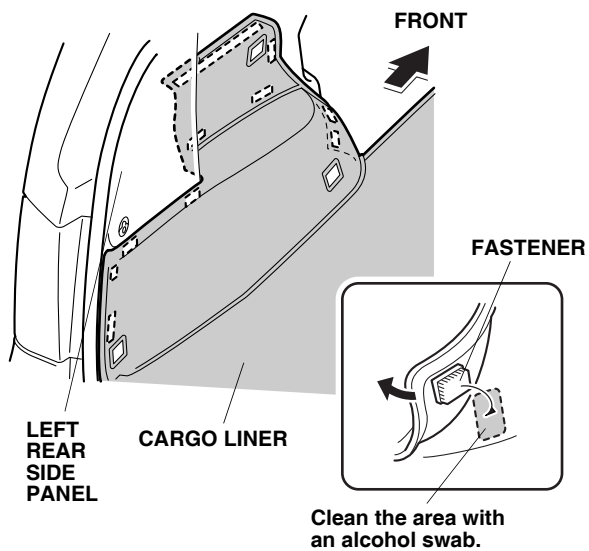
- Locate the four short fasteners on the cargo liner and attach four short fastener pads to the cargo liner as shown.
- Remove the adhesive backing from the four short fastener pads, position the cargo liner over the wheelwell, and attach the four short fastener pads to the right rear side panel. Press the four short fastener pads firmly against the side panel with the rubber roller.

- Align the holes on the cargo liner to the recess cover on the right rear side panel.

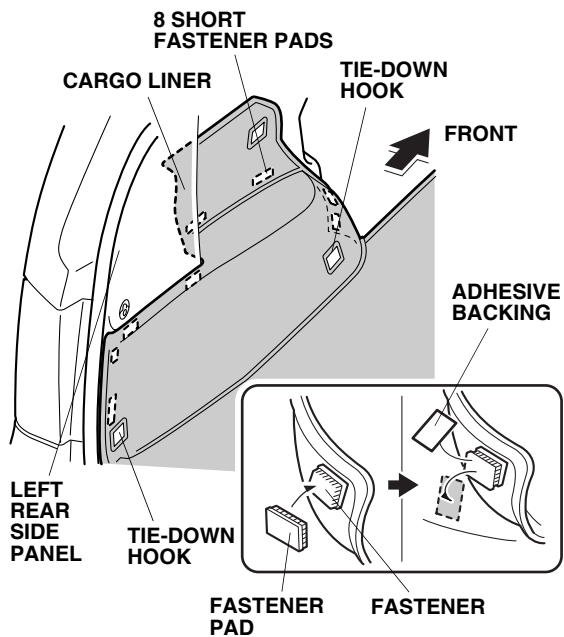


- Attach one long fastener pad and three short fastener pads to the cargo liner as shown.
- Remove the adhesive backing from the one long fastener pad and three short fastener pads, position the cargo liner, and attach the one long fastener pad and three short fastener pads to the right rear side panel. Press the one long fastener pad and two short fastener pads firmly against the side panel with the rubber roller.

- Align the cargo liner to the left rear side panel, fold the cargo liner back and, using three alcohol swabs, thoroughly clean the area where the fasteners will attach. After cleaning with the alcohol swabs, wait at least 3 minutes before continuing to the next step.

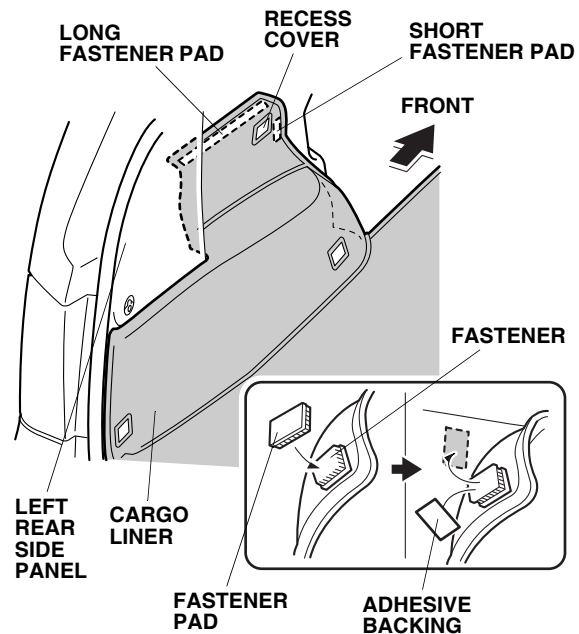


- Align the holes on the cargo liner to the two tie-down hooks on the left rear side panel.



- Locate the eight short fasteners on the cargo liner and attach eight short fastener pads to the cargo liner as shown.
- Remove the adhesive backing from the eight short fastener pads, position the cargo liner on the left rear side panel, and attach the eight short fastener pads to the left rear side panel. Press the eight short fastener pads firmly against the side panel with the rubber roller.

- Align the holes on the cargo liner to the recess cover on the left rear side panel.

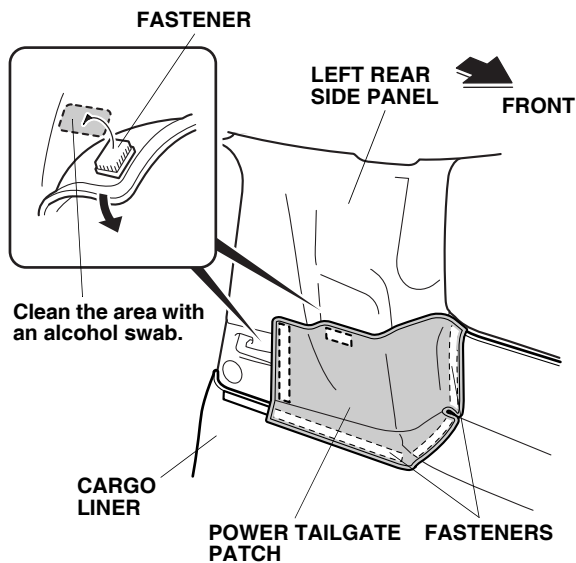


- Attach one long fastener pad and one short fastener pad to the cargo liner as shown.
- Remove the adhesive backing from one long fastener pad and one short fastener pad, position the cargo liner, and attach the one long fastener pad and one short fastener pad to the left rear side panel. Press the one long fastener pad and one short fastener pad firmly against the side panel with the rubber roller.

Power tailgate: Do steps 22 through 25  
Non-power tailgate: Do steps 26 through 29

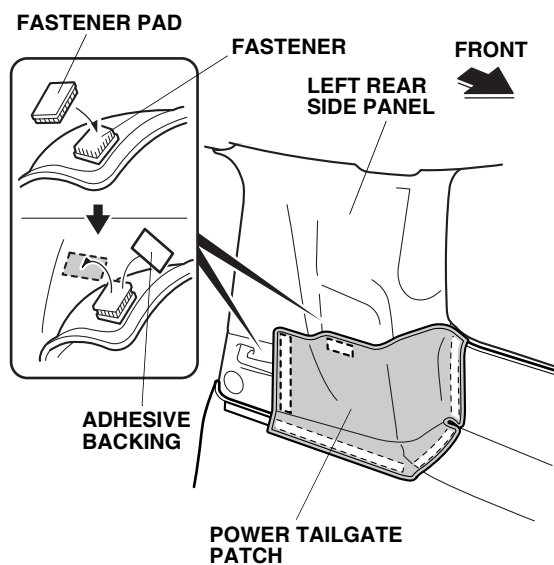
*Power tailgate*

22. Secure the power tailgate patch to the cargo liner with two fasteners.



23. Align the power tailgate patch to the left rear side panel, fold the power tailgate patch back and, using an alcohol swab, thoroughly clean the area where the fasteners will attach. After cleaning with the alcohol swabs, wait at least 3 minutes before continuing with the next step.

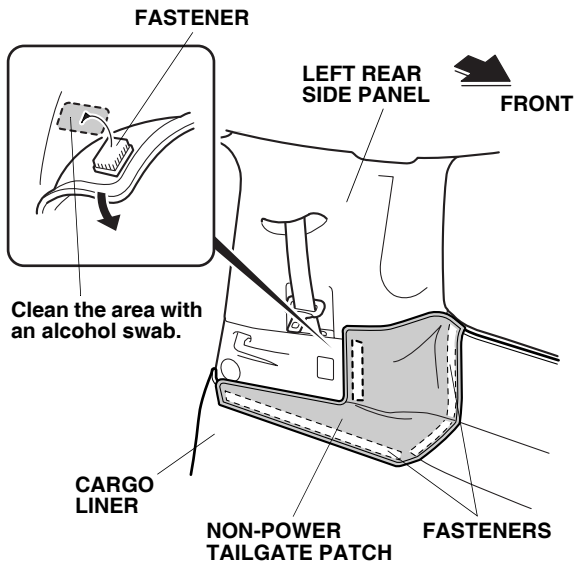
24. Attach two fastener pads to the power tailgate patch as shown.



25. Remove the adhesive backing from two fastener pads, position the power tailgate patch, and attach the two fastener pads to the left rear side panel. Press the two fastener pads firmly against the side panel with the rubber roller. Go to step 30.

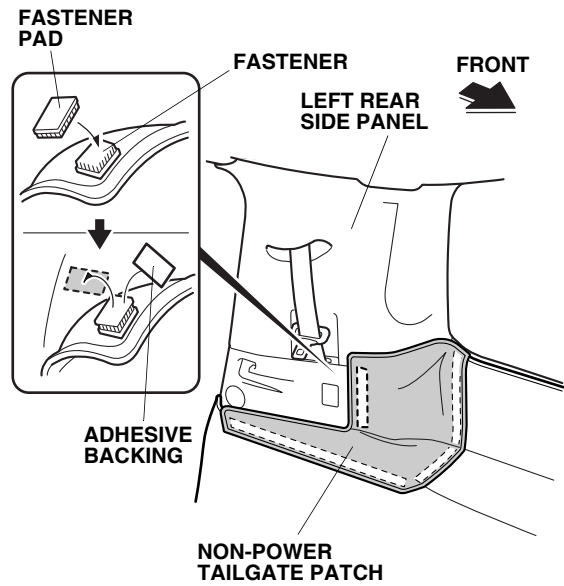
*Non-power tailgate*

26. Secure the non-power tailgate patch to the cargo liner with two fasteners.



27. Align the non-power tailgate patch to the left rear side panel, fold the non-power tailgate patch back and, using an alcohol swab, thoroughly clean the area where the fasteners will attach. After cleaning with the alcohol swab, wait at least 3 minutes before continuing with the next step.

28. Attach one fastener pad to the non-power tailgate patch as shown.



29. Remove the adhesive backing from one fastener pad, position the non-power tailgate patch, and attach the one fastener pad to the left rear side panel. Press the one fastener pad firmly against the side panel with the rubber roller.
30. Hook two loops on the cargo liner to two anchors.

