



# INSTALLATION INSTRUCTIONS

Accessory  
**CARGO DIVIDER**  
P/N 08U45-SZA-100A

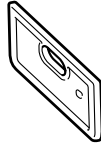
Application  
**2014 PILOT**

Publications No.  
**All 50245**  
Issue Date  
**AUG 2013**

Put this information in the glove box with the vehicle owner's manual.

## PARTS LIST

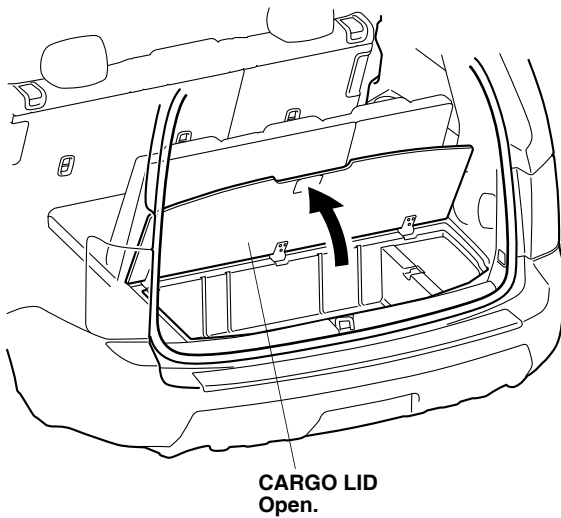
4 Cargo dividers



## INSTALLATION

### Installing the Cargo Dividers

1. Open the cargo lid.



2. Insert four cargo dividers into the recess as shown.

