



# INSTALLATION INSTRUCTIONS

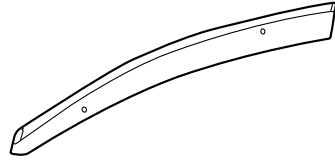
Accessory  
**DOOR VISORS**  
P/N 08R04-TK8-100A

Application  
**2017 ODYSSEY**

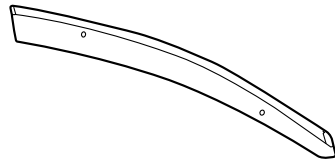
Publications No.  
**VERSION 1**  
Issue Date  
**DEC 2016**

## PARTS LIST

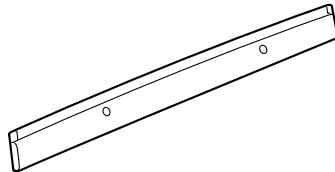
Left front door visor



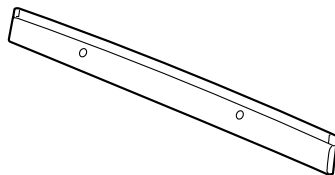
Right front door visor



Left rear door visor



Right rear door visor



4 Front brackets



4 Rear brackets



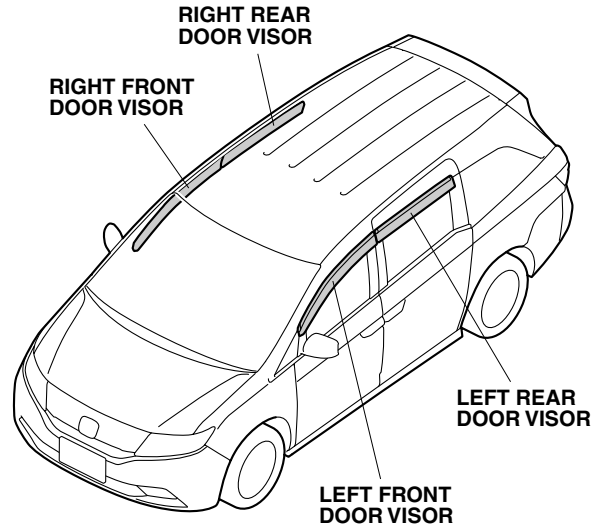
8 Clips



## TOOLS AND SUPPLIES REQUIRED

- Isopropyl alcohol
- Shop towel
- Masking tape
- Tape measure

### *Illustration of the Door Visors on the Vehicle*



## INSTALLATION

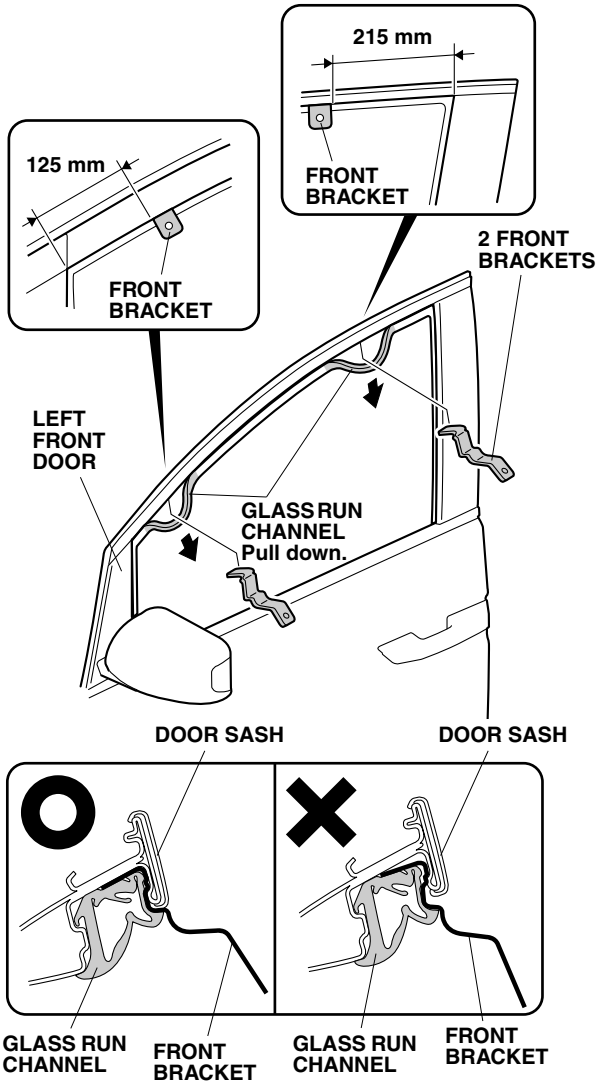
**Customer Information:** The information in this installation instruction is intended for use only by skilled technicians who have the proper tools, equipment, and training to correctly and safely add equipment to your vehicle. These procedures should not be attempted by “do-it-yourselfers.”

### NOTE:

- These instructions show the left door visors being installed. The same procedure applies to installing the right door visors.
- Be careful not to damage the paint finish and glass run channels when installing the door visors.
- Handle the door visors with care. They are not designed to absorb shock or impact.
- This kit should be installed only if the ambient air temperature is 60°F (15°C) or above.
- To allow the adhesive to cure, do not wash the vehicle for 24 hours. Please advise your customer.
- Door visors may not be legal in all states; check the laws in your state.

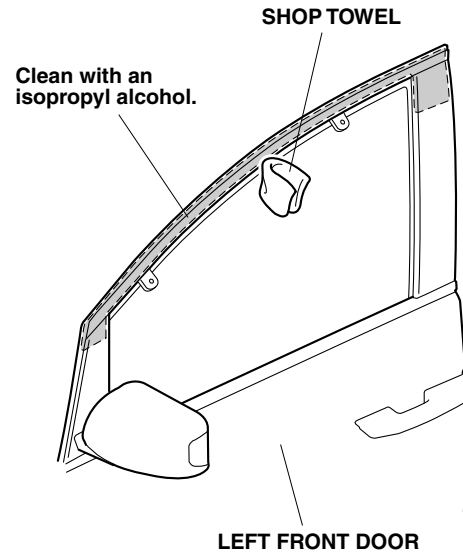
## Installing the Front Door Visor

1. Fully open the left front window.
2. Pull down the glass run channel in the areas shown, and install two front brackets to the door sash at the measurements shown.

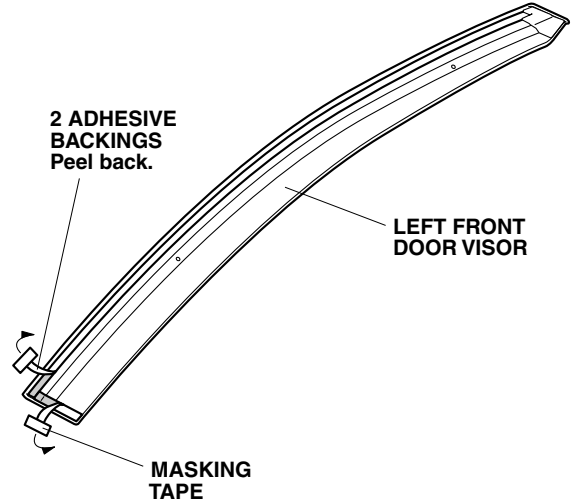


3. Reinstall the glass run channel to secure the two front brackets. Be sure the brackets are installed tightly to the door sash, and that the glass run channel is properly seated.

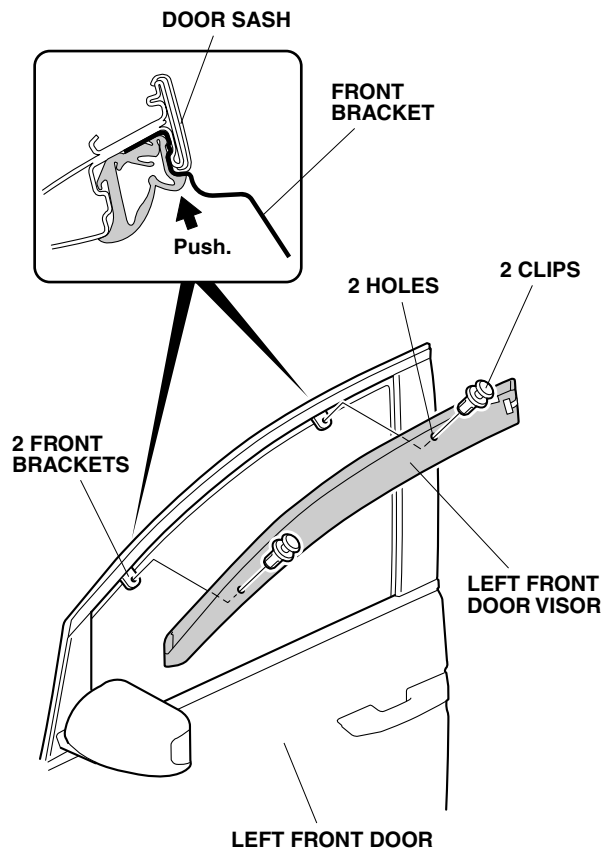
4. Using isopropyl alcohol on a shop towel, thoroughly clean the door where the left front door visor will attach.



5. Peel back 1½ to 2 inches of each adhesive backing, and tape the ends to the front surface of the left front door visor with masking tape.

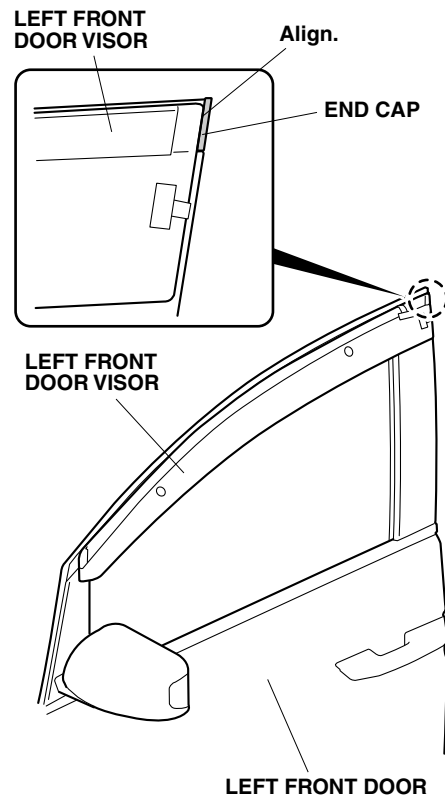


6. Place the door visor against the door, and adjust the visor so it lines up with the two front brackets.

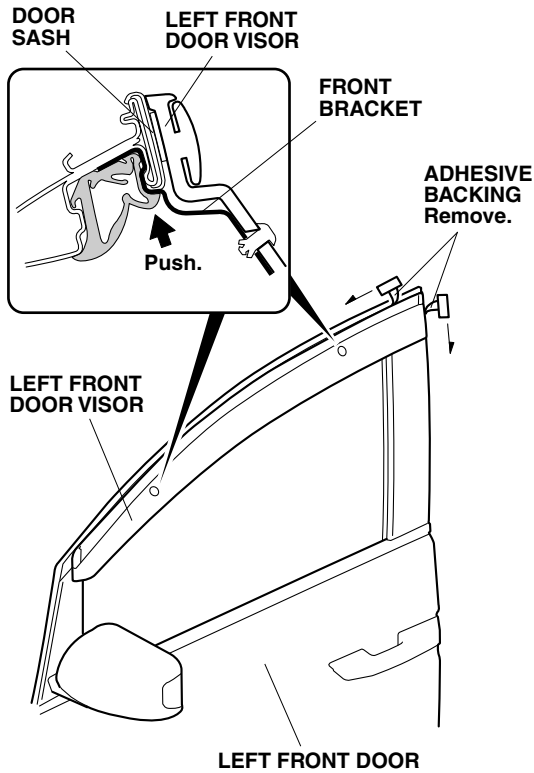


7. Secure the left front door visor to the front brackets with two clips. Push up on the front brackets while installing the two clips. Install the clips correctly, they cannot be removed.

8. Adjust the position of the left front door visor as shown.



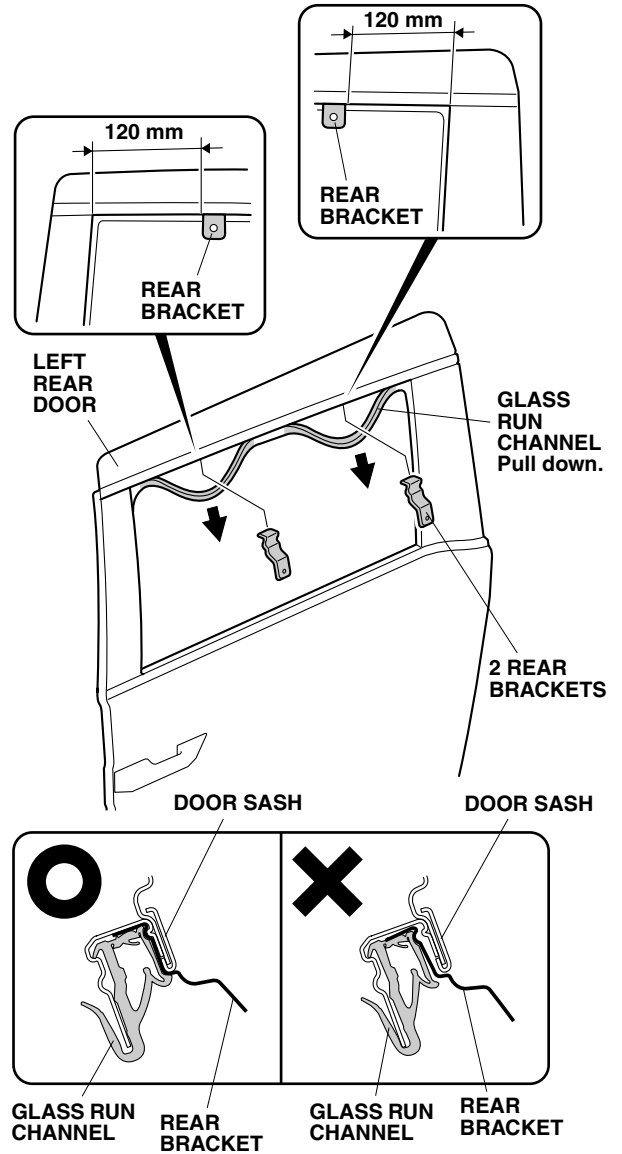
9. While applying light pressure against the left front door visor, carefully remove the adhesive backings. Push up on the front brackets while removing the adhesive backings.



10. Using the palm of your hand, firmly press the left front door visor against the door sash.

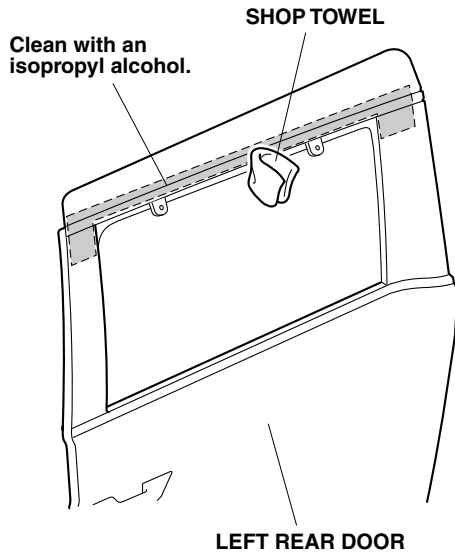
## Installing the Rear Door Visor

11. Fully open the left rear window.
12. Pull down the glass run channel in the areas shown, and install two rear brackets to the door sash at the measurements shown.

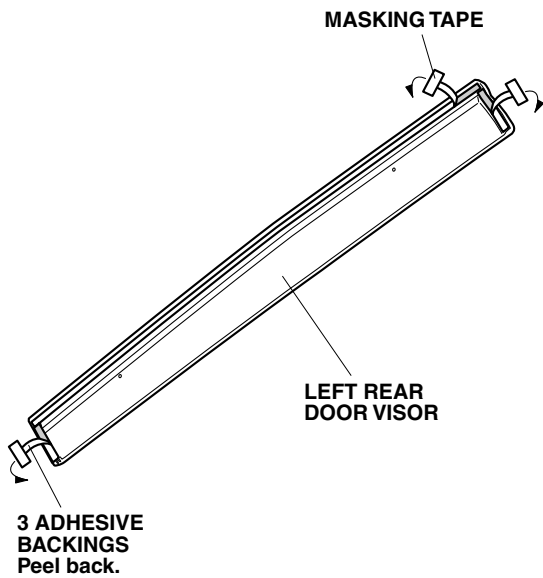


13. Install the glass run channel to secure the two rear brackets. Be sure the brackets are installed tightly to the door sash, and that the glass run channel is properly seated.

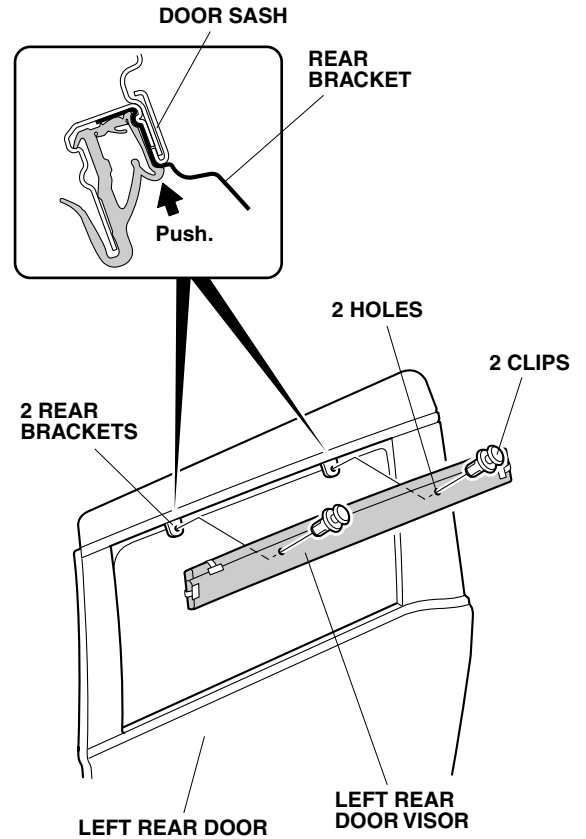
14. Using isopropyl alcohol on a shop towel, thoroughly clean the door where the left rear door visor will attach.



15. Peel back 1½ to 2 inches of each adhesive backing, and tape the ends to the front surface of the left rear door visor with masking tape.

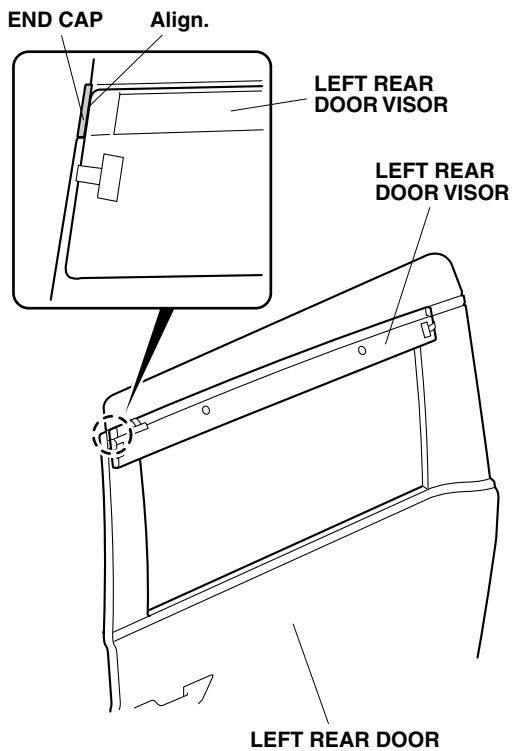


16. Place the door visor against the door, and adjust the visor so it lines up with the two rear brackets.

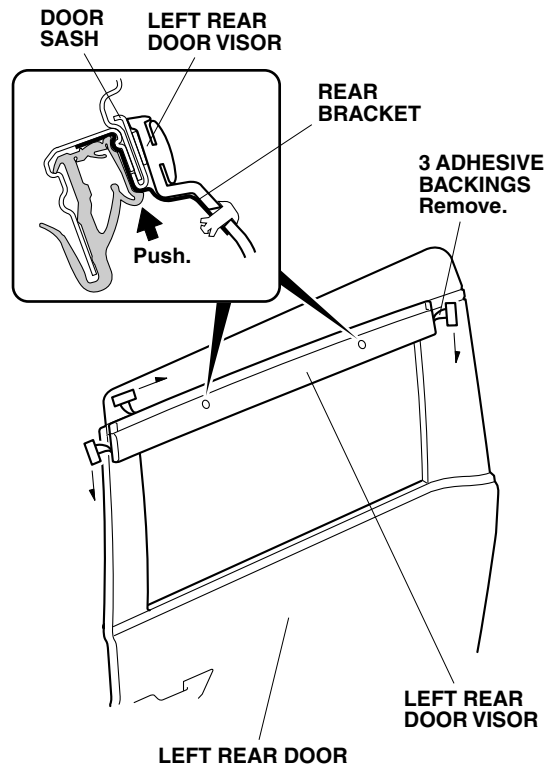


17. Secure the left rear door visor to the front brackets with two clips. Push up on the rear brackets while installing the two clips. Install the clips correctly, they cannot be removed.

18. Adjust the position of the left rear door visor as shown.



19. While applying light pressure against the left rear door visor, carefully remove the adhesive backings. Push up on the rear brackets while removing the adhesive backings.



20. Using the palm of your hand, firmly press the left rear door visor against the door sash.
21. Repeat steps 1 thru 20 to install the door visors on the right side of the vehicle.
22. Raise and lower all the windows several times to seat the door glass run channels.
23. Check the window operation.

#### USE AND CARE

Clean the door visors with mild detergent and water. Do not use organic solvents (thinner, benzene, alcohol, etc.) or cleaners containing any abrasive material.